



**INNOVATIVE
EARTHING TERMINALS
WITH RAILWAY APPROVALS**



WEITKOWITZ **Kabelschuhe und Werkzeuge GmbH**

Postbox 1765
31207 Peine - Germany
Woltorfer Straße 125
31224 Peine - Germany

Phone +49 (0) 5171 7061 - 0
Fax +49 (0) 5171 7061 - 58
Internet www.weitkowitz.de
E-Mail info@weitkowitz.de

Contact persons – railway earthing solutions:

Head of Application technology

Mr. Hennies Phone +49 (0) 5171 / 70 61 - 39
 Fax +49 (0) 5171 / 70 61 - 776
 mobil +49 (0) 175 / 9 40 47 85
 volker.hennies@weitkowitz.de

Sales / Office work

Mr. Thunich Phone +49 (0) 5171 / 70 61 - 734
 Fax +49 (0) 5171 / 70 61 - 776
 markus.thunich@weitkowitz.de

Sales Manager / Germany

Mr. Elsner Phone +49 (0) 341 / 2 46 18 25
 Fax +49 (0) 5171 / 70 61 - 776
 mobil +49 (0) 160 / 2 83 14 64
 juergen.elsner@weitkowitz.de

Sales Manager / Export

Mr. Probst Phone +49 (0) 5171 / 70 61 - 92
 Fax +49 (0) 5171 / 70 61 - 58
 mobil +49 (0) 171 / 8 79 68 57
 ralf.probst@weitkowitz.de

Quality and functionality that is our highest priority ...

We produce in our plant in Peine, cable lugs, connectors, cord-end-sleeves and tools since 70 years. The „Made in Germany“ stands for high quality, functionality and durability of all our products.

Our slogan: „A safe Connection – Quaranteed!“ is a promise to all our renowned customers worldwide.

Of course **WEITKOWITZ** is also certificate to ISO 9001 and ISO/ TS 16949 and fulfills therefore the highest quality requirements, e.g. from the automobile industry.

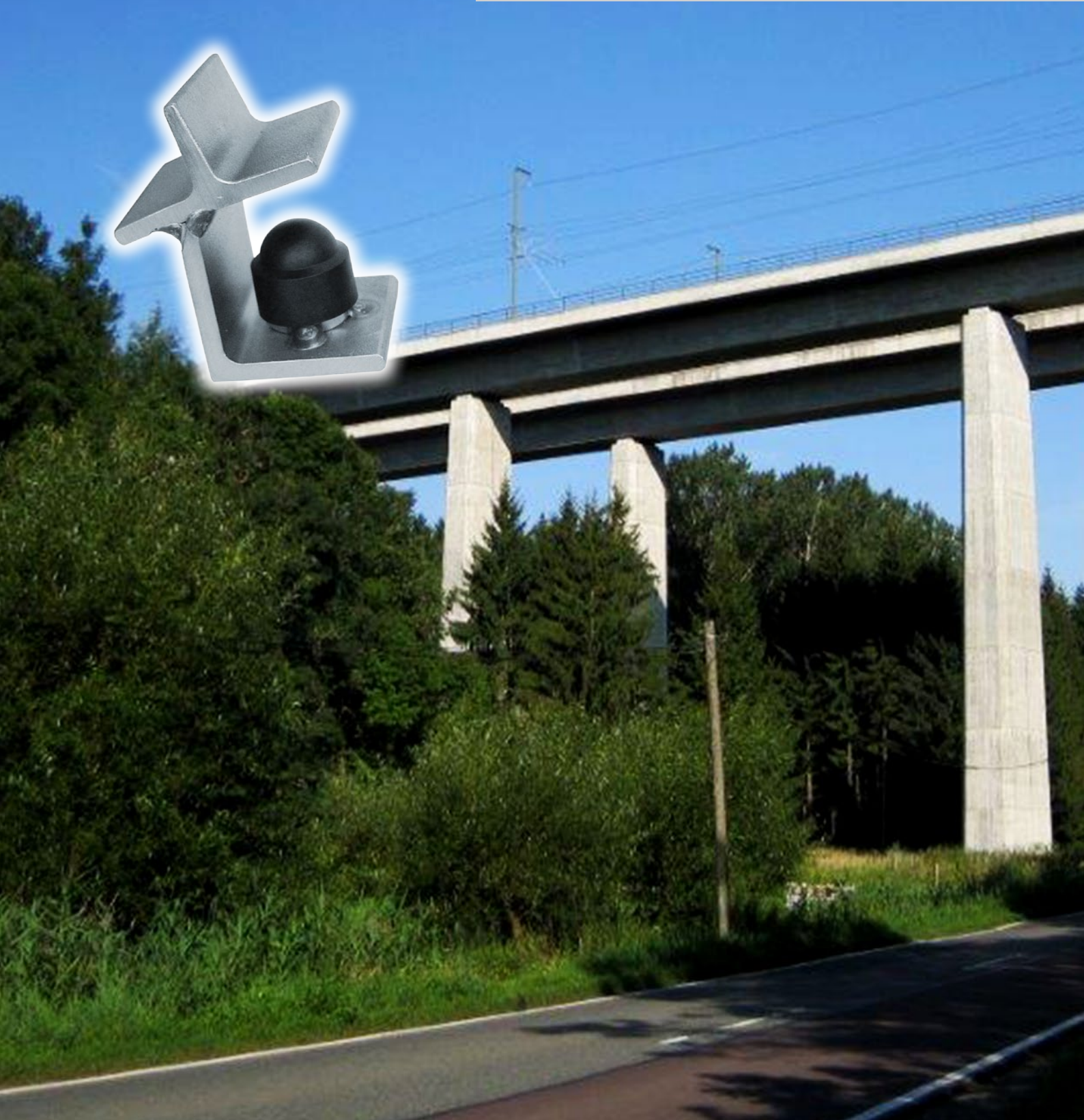
Customers from different areas e.g. electrical installations, switchboards, transformer constructions, cable assembly, lightning production, railway technology, wind energy and solar energy use **WEITKOWITZ** items in their products and installations.

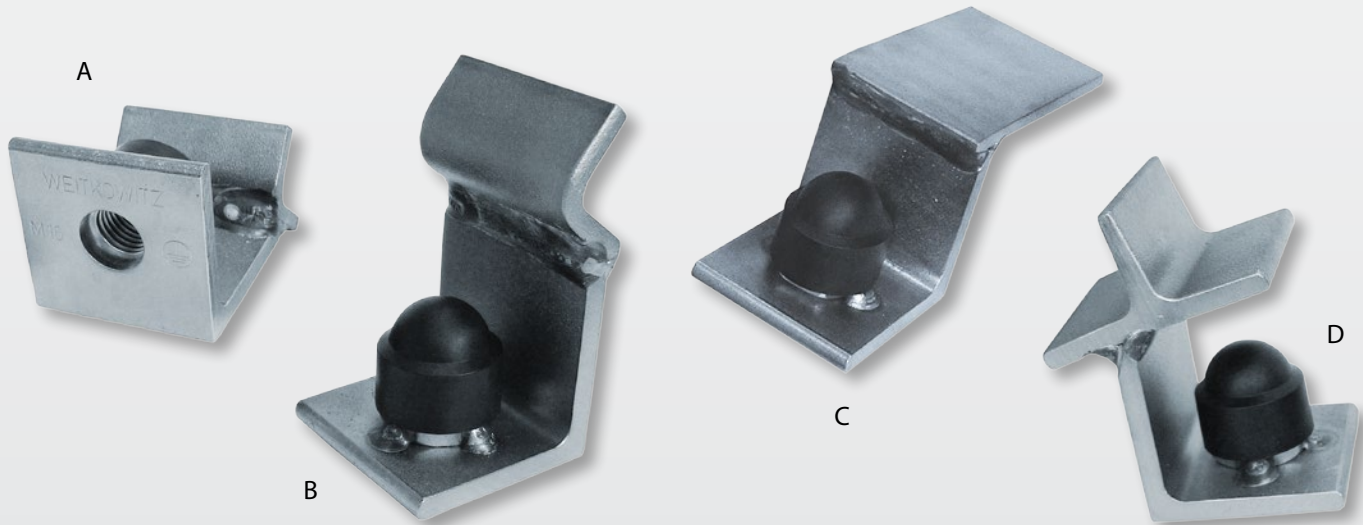


Contents

EARTHING BRIDGES		FIXING MATERIAL	
Type WEB 16 – design A-D	6	Shim washer Ø 40 mm	23
Type WEB 0 – design A-E	7	Divider busbar	23
Type WEB 19 – design A-B	8	Earthing busbar	23
Type WEB 2	9	Thread sleeve with cross-rod	23
Type WEB 3	9	Stop busbar	24
Type WEB 1	10	Track – trouble connectors	24
Type WEB 8	10	Construction machine – earthing kit	24
Type WEB 6	11		
Type WEB 9	11	HYDRAULIC TOOLS	
Type WEB 7	12	STILO1 – hydraulic battery tool + Compression dies	26
Type WEB 10	12	API 20 – hydraulic battery tool + Compression dies	27
Type WEB 11	13	Compact hydraulic pump with battery CP 700 EC / CP 850 EC	28
Type WEB 12	13	Hydraulic compression head HPW 20	29
Type WEB 13	14	Hand-operated hydraulic compression tool HPI 20	29
Type WEB 14	14	Battery-powered hydraulic cable cutter ASi 25	30
Type WEB 15	15		
DIN T-CONNECTORS		TUBULAR COMPRESSION CABLE LUGS	
T-connector K 14	16	Tubular compression cable lugs 25 – 150 mm ² , DIN 46235	32
T-connector K 16	16	Tubular compression cable lugs 95 – 120 mm ² , aluminium	33
T-connector K 20	16		
TUBLAR BUTT-CONNECTOR		TECHNICAL INFORMATION	
Butt-connector 50 mm ²	17	Engineering drawings	35-51
EARTHING CONNECTORS		PROCESSING REFERENCES	
CuStAl – earthing connectors 70 mm ²	20	Earthing bridge WEB 0	52
AlMG/St – earthing connectors 75-110 mm ²	20	Earthing bridge WEB 16	53
Steel-cable – earthing connectors 95 mm ²	21	Shim washer	54
Ground connectors out of copper 50 / 70 mm ²	21		
MOUNTING MATERIAL		APPROVALS	
Glue pad for WEB 0	22	DB and ÖBB-approvals	55-73
Glue pad for WEB 16	22		
Hexagon screw A 4	22	CERTIFICATIONS	
Hexagonal nut A 4	22	ISO 9001:2008	75
Washer A 4	22	ISO/TS 16949:2009	75
PVC-plug for earthing bridges	22		
Cable clamp	22	APPENDIX	
		Innovativ earthing technology with DB- und ÖBB approvals	76
		General conditions of sale	78-79
		Ordering information to CD-ROM	80

**long time corrosion-resistant
earthing bridges, T-connectors
and Tubular butt-connector**





Type WEB 16 – design A-D

According to 3 Ebs 15.03.19 – 23
item no. look at page 37.

Consisting of:

Connection angle out of stainless steel A2 leg length 50 mm

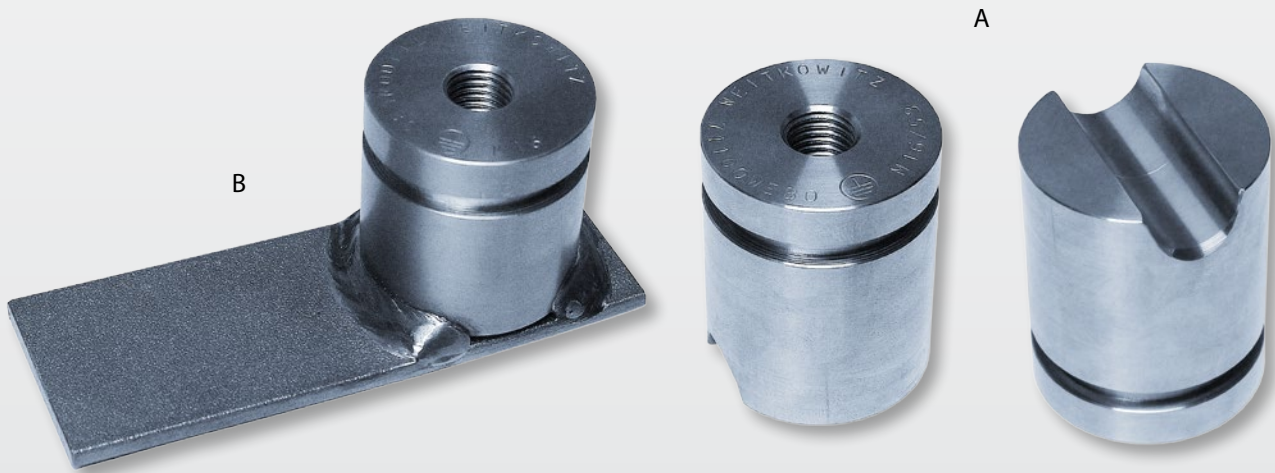
- even turned contact area with thread hole M16 (M12 on request) therefore best contact at connection area
- connection angle to the simple and save positioning of the round-bar iron Ø M 16 on the construction site.
- the welding is carried out via the complete length of the connection angle on the left and right side of the round-bar iron. The specified welded seam length of 2 x 45 mm is reached certainly.
- good processing on steel scarf tables by fixing with adhesive pads (item no. 71137), see page 22; fixing on vertical formwork is possible with thread hole M16.
- concrete cover 50 – 80 mm possible

Released for short circuit current >25 kA!

Delivery with welded iron rod on request.

**installation examples and release flags see you on the drawing number 71100 and versions on page 53
processing instructions on page 37**

technical release DB Netz AG TZF 72.05.2007
EBA-approval – no. 22452SeWEB (248/04)-3114057/0/4
ÖBB-approval ED 6409 Bl. 6 vom 13.07.2006

WEITKOWITZ earthing bridge WEB 0
STAINLESS STEEL
 long time corrosion-resistant!

Type WEB 0 – design A-E

 According to 3 Ebs 15.03.19 – 8
item no. look at page 36.

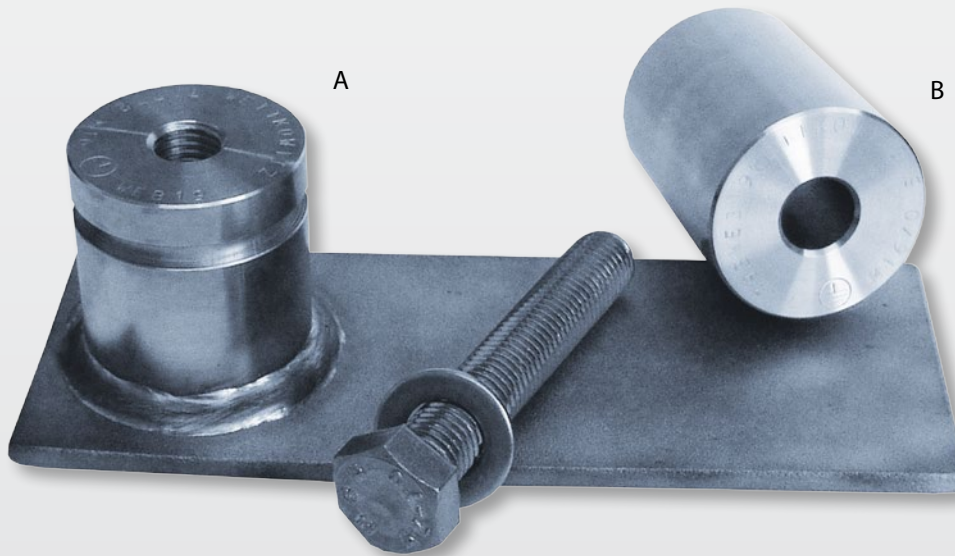
Consisting of:

Connection sleeve out of stainless steel A2 Ø 50 mm

- corrosion-resistant, no rust patch at concrete
- even turned contact area with thread-hole M16 (M12 on request), therefore no seep of dampness to the armour
- radial groove, therefore no seep of dampness to the armour
- special semi-shell for a simple, secure positioning of the iron rod Ø 16 mm at the building site
- the welding must be carried out at the right and left side of the iron-rod over the whole length of the prism; so the prescribed minimum length of 2 x 45 mm is achieved easily
- very good handling at steel form boards through fixing with the help of adhesive pads art.-no. 76544, compare page 15; fixing on vertical form boards possible with a screw M16

Released for short circuit current >25 kA!
Delivery with welded iron rod on request.
installation examples and release flags see you on the drawing number 71100 and versions on page 52
processing instructions on page 36

 technical release DB Netz AG TZF 72 05.2007
 EBA-approval – no. 22452SeWEB (248/04)-3114057/0/4
 ÖBB-approval ED 6409 Bl. 6 vom 13.07.2006



Type WEB 19 – Bauart A-B
item no. 71772 consisting of:

Connection sleeve out of stainless steel A2 Ø 50 mm
Current-carrying capacity 40kA / 0.5 sec.

- corrosion-resistant, no rust patch at concrete
- concrete cover 53 mm
- level-rotated contact surface with thread M16
- radial prick prevents progress of humidity to the reinforcement
- running around welds together with flat steel 400 mm²
S235 JRG2 80x5 mm, standard length 200 mm

Extension / spacer sleeve, type B
item no. 71793 consisting of:

Spacer sleeve out of stainless steel A2 Ø 50 mm
Current-carrying capacity 40kA / 0.5 sec.

- length 70 mm, for insulating layer approx. 60 mm
- corrosion-resistant, no rust patch at the insulation
- level-rotated contact surface with through-hole M16
- hexagon screw DIN EN ISO 4017 – M16 –A2
and washer DIN EN ISO 7089 – 17 – A2

Design B optional as a supplement for damp courses and insulating layers.

technical release DB Energie GmbH I.EBZ5, Ffm.
4 Eku 313 010
16.08.2010

different designs
see drawing on page 38.


Type WEB 2

3 Ebs 15.03.19 – 10

Item-no. 71124 / 300 mm long

consisting of:

Connection sleeve out of Cu, tin plated

- material: massive copper, turned from one piece
- compact design = small place requirements in the concrete (basement)
- even turned contact area with thread-hole M16 (M12 on request), therefore best contact at connection area
- fixing at the form boards through a screw M 16 or a nail possible, contact area parallel

with crimped iron-rod Ø 16 mm

- variable length according to customer's request
- the prescribed minimum welding seam length of 2 x 45 mm (contact resistance) can be easily welded on the right and left side of the iron rod as a V-seam

Variant with O-ring to sealing on the formwork carriage / formwork on request!
Released for short circuit current >25 kA!
Type WEB 3

3 Ebs 15.03.19 – 10

As example – item no. 71712 /300 / 100 mm length

consisting of:

Connection socket with crimped iron-rod

- design like WEB 2, however with 90 angled iron-rod
- different length on customer request

Variant with O-ring to sealing on the formwork carriage / formwork on request!
Example installation and release note see drawing 71102 on page 39

 Technical release DB Netz AG NTE 2 10.2000
 EBA approval No. BLN 227391/0



released for short circuit
current >25 kA

Typ WEB 1

3 Ebs 15.03.19 – 9

As example – item no. 71345 / 500 mm length*

consisting of:

Connection sleeves out of Cu, tin plated

- material: massive copper, turned from one piece
- compact design = small place requirement in the concrete
- even turned contact area with thread hole M16 (M12 on request), therefore best contact at connection area
- fix positioning in the concrete because of wing-crimping
- the fixing at the formwork can be performed by screw M16 or A2 nails, area of contact parallel adjacent

with crimped power cable **NYN-0 95 mm²***

alternative PVC-stranded conductor **H07V-K 95 mm²***

- variable length according to customer's request
- crossing point between connection sleeve and cable insulation is corrosion-protected

**and angle-connection out of steel
(for welding at concrete-reinforcement)**

- special semi-shell (angle prism) for a simple, secure positioning of the iron-rod Ø 16 mm at the building site
- the welding must be carried out at the right and left side of the iron-rod over the whole length of the prism. So the welding length of 2 x 45 mm, prescribed by the DB, is achieved easily
- variable positioning at the reinforcement

Variant with O-ring to sealing on the formwork carriage / formwork on request!

Typ WEB 8

3 Ebs 15.03.19 – 9

As example – item no 71366 / 500 mm length*

consisting of:

Connection sleeve out of Cu-ETP, tin plated

– **design exactly like WEB 1**

with crimped power cable NYY-0 70 mm²*
alternatively PVC-stranded conductor H07V-K 70 mm²*

- variable length according to customer's request
- crossing point between connection sleeve and cable insulation is corrosion-protected and angle-connection out of steel (for welding at concrete-reinforcement)

– **design exactly like WEB 1**

Variant with O-ring to sealing on the formwork carriage / formwork on request!

* because of a high flexibility perfectly suitable for narrow installation spaces, e.g. bridges and tunnels



installation examples and release flags see you on the drawing number 71101 and versions on page 40

technical release DB Netz AG TZF 73 09.2002
EM (EB) TF 006/2004 16.07.2004
EBA-approval no. 224.52 Shz 3018465



released for short circuit
current >25 kA

Typ WEB 6

3 Ebs 15.03.19 – 9

As example – item no. 71726 / 500 mm length*

consisting of:

2 pieces connection sleeves out of Cu-ETP, tin plated

- material: massive copper, turned from one piece
 - compact design = small place requirements in the concrete
 - even turned contact area with thread hole M16 (M12 on request), therefore best contact at connection area
 - fix positioning in the concrete because of wing-crimping
 - variable positioning at the reinforcement and formwork
- with crimped power cable NYY-0 95 mm²***
alternatively PVC-stranded conductor H07V-K 95 mm²*
- variable length according to customer's request
 - crossing point between connection sleeve and cable insulation is corrosion-protected with a heat-shrink-tube

Installation examples and release flags see you on the drawing number 71101 and versions on page 40.

 Technical license DB Netz AG TZF 73 09.2002
 EM (EB) TF 006/2004 16.07.2004
 EBA-approval no. BLN 227391/0

Variant with O-ring to sealing on the formwork carriage / formwork on request!

Typ WEB 9

3 Ebs 15.03.19 – 9

As example – item no. 71716 / 500 mm length*

consisting of:

2 pieces connection sleeves out of Cu-ETP, tin plated

- design exactly like WEB 6
- with crimped power cable NYY-0 70 mm²***
alternatively PVC-stranded conductor H07V-K 70 mm²*
- variable length according to customer's request
 - crossing point between connection sleeve and cable insulation is corrosion-protected with a heat-shrink-tube

Variant with O-ring to sealing on the formwork carriage / formwork on request!

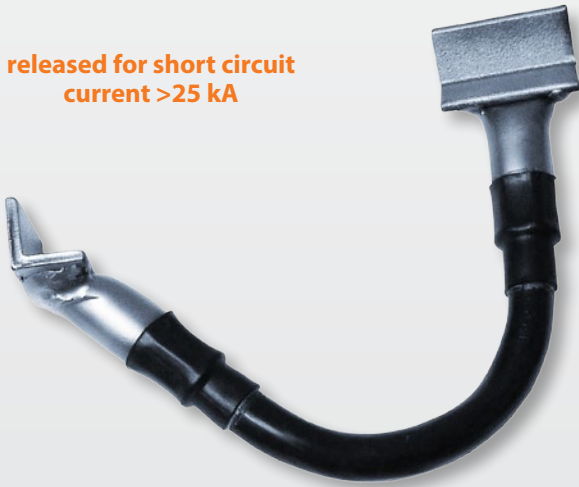
Installation examples and release flags see you on the drawing number 71101 and versions on page 40.

 Technical license DB Netz AG TZF 73 09.2002
 EM (EB) TF 006/2004 16.07.2004
 EBA-approval no. 224.52 Shz 3018465

* because of a high flexibility perfectly suitable for narrow installation spaces, e.g. bridges and tunnels.

**WEITKOWITZ earthing terminals WEB 7/10
with angle connection out of steel**

released for short circuit
current >25 kA



Typ WEB 7

3 Ebs 15.03.19 – 9

e.g. item no. 71546 / length 500 mm*

consisting of:

**2 pieces angle-connectors out of steel
(for welding at concrete-reinforcement)**

- special semi-shell (angle prism) for a simple, secure positioning of the iron-rod \varnothing 16 mm at the building site
- the welding must be carried out at the right and left side of the iron-rod over the whole length of the prism, so the minimum length of 2 x 45 mm prescribed is achieved easily
- variable positioning at the reinforcement

with crimped power cable NYY-0 95 mm²*

alternatively PVC-stranded conductor H07V-K 95 mm²*

- variable length according to customer's request
- crossing point between connection sleeve and cable insulation is corrosion-protected with a heat-shrink-tube

Typ WEB 10

3 Ebs 15.03.19 – 9

e.g. item no. 71626 / length 500 mm*

Consisting of:

**2 pieces angle-connectors made of steel
(for welding at concrete-reinforcement)**

- design exactly like WEB 7

with crimped power cable NYY-0 70 mm²

alternatively PVC-stranded conductor H07V-K 70 mm²*

- variable length according to customer's request
- crossing point between connection sleeve and cable insulation
- is corrosion-protected with a heat-shrink-tube

* because of a high flexibility perfectly suitable for narrow installation spaces, e.g. bridges and tunnels.

installation examples and release flags see you on the drawing number 71101 and versions on page 40.

Technical license DB Netz AG TZF 73 09.2002
EM (EB) TF 006/2004 16.07.2004
EBA-approval no. 224.52 Shz 3018465

**WEITKOWITZ earthing terminals WEB 11/12
 with welding lug**
CU TIN-PLATED
 long time – corrosion resistant

Type WEB 11

3 Ebs 15.03.19 – 12

e.g item no. 71354 / length 500 mm*

consisting of:

Connection sleeve out of Cu-ETP, tin plated

- material: massive copper, turned from single piece
- compact design = small place requirements in the concrete (concrete part)
- even turned contact area with thread-hole M16 (M12 on request), therefore best contact at connection area
- fix positioning in the concrete because of wing-crimping

with crimped power cable NYY-0 95 mm²*
alternatively PVC-stranded conductor H07V-K 95 mm²*

- variable length according to customer's request
- crossing point between connection sleeve and cable insulation is corrosion-protected with a heat-shrink-tube

cable lugs out of steel

- with extra-long flange for installing an iron rod Ø 16 mm
- the prescribed minimum welding seam length of 2 x 45 mm (contact resistance) can be easily welded on the right and left side of the iron rod as a V-seam

Variant with O-ring to sealing on the formwork carriage / formwork on request!

Typ WEB 12

3 Ebs 15.03.19 – 12

e.g item no. 71344 / length 500 mm*

consisting of:

Connection sleeve out of Cu-ETP, tin plated

– design exactly like WEB 11

with crimped power cable NYY-0 70 mm²*
alternatively PVC-stranded conductor H07V-K 70 mm²*

- variable length according to customer's request
- crossing point between connection sleeve and cable insulation is corrosion-protected with a heat-shrink-tube

cable lugs out of steel

– design exactly like WEB 11

Variant with O-ring to sealing on the formwork carriage / formwork on request!

 released for short circuit
 current >25 kA

* because of a high flexibility perfectly suitable for narrow installation spaces, e.g. bridges and tunnels.

installation examples and release flags see you on the drawing number 71117 on page 41

 Technical license DB Netz AG TZF 73 09.2002
 EM (EB) TF 006/2004 16.07.2004
 EBA-approval no. 224.52 Shz 3018465
 ÖBB-approval ED 6409 page 8 from 13.07.2006

**WEITKOWITZ earthing terminals WEB 13/14
with welding lug**



Type WEB 13

3 Ebs 15.03.19 – 12

e.g. item no. 71353 / length 500 mm*

consisting of:

2 pieces cable lugs out of steel

- with extra-long flange for putting on of the round steel Ø 16 mm
- the prescribed minimum welding seam length of 2 x 45 mm (contact resistance) can be easily welded on the right and left side of the iron rod as a V-seam.

with crimped power cable NYY-O 70 mm²

alternatively PVC-wire, flexible H07V-K 70 mm²*

- variable length according to customer's request
- crossing point between connection sleeve and cable insulation is corrosion-protected with a heat-shrink-tube



Type WEB 14

3 Ebs 15.03.19 – 12

e.g. item no. 71361 / length 500 mm*

consisting of:

2 pieces cable lugs out of steel

- **design exactly like WEB 13 with crimped power cable NYY-O 95 mm²**

alternatively PVC-wire, flexible H07V-K 95 mm²*

- variable length according to customer's request
- crossing point between connection sleeve and cable insulation is corrosion-protected with a heat-shrink-tube.

**released for short circuit
current >25 kA**

* because of a high flexibility perfectly suitable for narrow installation spaces, e.g. bridges and tunnels

installation examples and release flags see you on the drawing number 71117 and versions on page 41

technical release – DB Netz AG TZF 7309.2002
EM (EB) TF 006/2004 16.07.2004
EBA-approval Nr. 224.52 Shz 3018465
ÖBB-approval ED 6409 Bl. 8 of the 13.07.2006

**Weitkowitz earthing terminals WEB 15 steel
mast grounding at large pipe**



Type WEB 15

4 Ebs 15.03.25 – 2

e.g. item no. 71903 / length 2000 mm

Consisting of

1 piece - cable lug out of steel, 30° angle

– with long flange to welding at a large pipe

1 piece - cable lug accord. DIN 46235

– tin-plated, 120 mm²; hole: M12

with crimped steel wire 95 mm²

– variable length according to customer's request

– crossing point between connection sleeve and cable insulation is corrosion-protected with a heat-shrink-tube.

release note on drawing no. 71127 on page 42.

Technical release DB Netz AG I. NUT 43 (o) 2.7.002
4 Ebs 15.03.25 - 2



T-connector K 14

material: Cu, outlet piece with special welding, tin plated

item no. 76989

connection with cable **NYY-O 50 mm²**

- used at outlet pieces for earthing collection lines at platforms
- adapter for further connection sleeves at bridge construction
- crimping with licensed mechanical and hydraulic crimping tools and adequate dies K14

T-connector K 16

material: Cu, outlet piece with special welding, tin plated

item no. 76988

connection with cable **NYY-O 70 mm²**

- used at outlet pieces for earthing collection lines at platforms
- adapter for further connection sleeves at bridge construction
- crimping with licensed mechanical and hydraulic crimping tools and adequate dies K16

release note on drawing no. 76988 / 76989 on page 43

technical release DB Netz AG TZF 72 12.004
4 Ebs 15.03.35 Bl.1

T-connector K 20

material: Cu, outlet piece with special welding, tin plated

item no. 78351

Connection with cable **NYY-O 120 mm²**, **DB steel rope 95 mm²**

- used at outlet pieces for earthing collection lines at platforms and tower grounding
- crimping with licensed mechanical and hydraulic crimping tools and adequate dies K20, minimum 50 kN press capacity

release note on drawing no. 78351 on page 44.

Technical release
Deutsche Bahn AG, DB Systemtechnik TTZ.242
4 Ebs 15.03.35 Bl. 2

You find our tool recommendation on page 26 to 29.

WEITKOWITZ Tubular butt-connector

CU TIN-PLATED
long time – corrosion resistant



Tubular butt-connector 50 mm²

material: Cu, tin-plated
item no. 71143

Connection steel rope Ø 10 mm with cable **NYY-O 50 mm²**

the new butt-connector 50 mm² can crimped on the

- the new butt-connector 50 mm² can be crimped to a power cable NYY-O and a steel wire Ø 10 mm without changing dies
- the assembly is simplified in comparison with the solution with two cable lugs
- At the pressing connection with steel wire made a great material superseding. The Deutsche Bahn dictates the use of a hydraulic tool with a crimping pressure of a minimum 50 kN. In addition it must use a crimping die with the die code K14.

Release note on drawing no. 71143 on page 46.

Technical release DB Netz AG TZF 73 04.2003
EM TF 005/2003
4 Ebs 15.01.37 Bl.2

You find our tool recommendation on page 26 to 29.





Earthing connectors
4. Ebs 15.03.17 / 1-6

WEITKOWITZ earthing connectors
4 Ebs. 15.03.17



Cu/St/Al - earthing connector 70 mm²

consisting of:

2 pieces copper cable lugs according to DIN 46235

- material: Cu
- brand: **WEITKOWITZ**
- good corrosion resistance due to a tin plated surface
- good pull-out forces according to VDE 0220 part 2 due to the **WEITKOWITZ** hexagonal crimping with die-code

processed railway earthing cable BayEnergy

- variable length according to customer request
- coated special single conductors out of Cu/St/Ai
- for thieves not reliable to steal - low market value
- no material separation without special procedure possibly
- free of halogen, with improved behavior in the case of fire (e.g. tunnel construction)
- good being recognizable by blue stripes and coinage on the isolation
- highly adaptable - particularly for short construction length (e.g. handrails, noise barriers) very well suitable
- no penetrating of water over the splice press places by means of a high-quality shrink tube with inside glue
- cost alternative to earthing connectors 95 mm² with steel cable
- crimped with usual hexagonal shape, die code K16
- Short circuit current > 25kA

(N)2X 1x70RF CuStAl

article example:

compression cable lugs 16 – 70,
power cable (N)2X 1x70RF
CuStAl, 500 mm length
middle thread hole - middle thread
hole = item no. 78363

AlMg/St – earthing terminal 75 – 110 mm²

consisting of:

2 x Al-compression cable lugs – tube dimensions DIN 46328 / 46267 part 2

- material: Al 99.5
- brand: **WEITKOWITZ**
- good pull-out forces according to VDE 0220 part 100
- due to the **WEITKOWITZ** hexagonal crimping with die-code 22

processed railway earthing cable (N)A(St)YY-O and (N)(A)YY-O

- variable length according to customer request
- for thieves not reliable to steal - low market value
- no material separation without special procedure possibly
- free of halogen, with improved behavior in the case of fire (e.g. tunnel construction)
- good being recognizable by blue stripes and coinage on the isolation
- cost alternative to earthing connectors 95mm² with steel cable
- crimped with usual hexagonal shape, die code K22 DIN 48083 part 4
- Short- circuit current > 25kA / 110 mm²

article example:

Al tubular compression cable lug 120 mm², hole: M 12,
conductor out of aluminum (N)A(St)YY-O 110 mm RM 0,6/1 kV
ALMGST-110 mm², length middle thread hole - middle thread
Hole, **e.g. item no. 78905 / length 500 mm**



Aluminium cable

DB approval TM 2010-0721.NVT4
4 Ebs 15.03.17
3 Ebs 15.03.21

We provide earthing terminals on request in different lengths, cross sections or thread holes. On request we can supply a right or left variant on a better assembly at the steel support of noise barriers.

WEITKOWITZ earthing connector
 4 Ebs. 15.03.17

Steel cable 95 mm²
earthing connectors with steel cable 95 mm²
 consisting of:

 2 pieces compression cable lugs according to
 DIN 46235 16-120 mm²

- material: Cu
- brand: **WEITKOWITZ**
- good corrosion resistance due to a tin plated surface
- good pull-out forces according VDE 0220 part 2 due to **WEITKOWITZ**-hexagonal crimping with die-code

crimped steel cable 95 mm²

- different length on customer request
- for thieves not reliable to steal - low market value

article example

 compression cable lugs 16-120, steel cable 95 mm²,
 middle thread hole to middle thread hole
e.g. = item no. 78825 / length 500 mm

 DB Netz AG, Ffm.
 TM 2011-134 I- NVT (E) of 01.05.2011
 4 Ebs. 15.03.17 – 4/5/7
 3 Ebs. 15.03.21

Copper cable NYY-O
Cu-earthing connectors 50 / 70 mm²

consisting of:

2 pieces compression cable lugs according to DIN 46235

- material: Cu
- brand: **WEITKOWITZ**
- good corrosion resistance due to a tin plated surface
- optimal pull-out forces according to VDE 0220 part 2 due to **WEITKOWITZ**-hexagonal crimping with die-code

with crimped power cable NYY-O

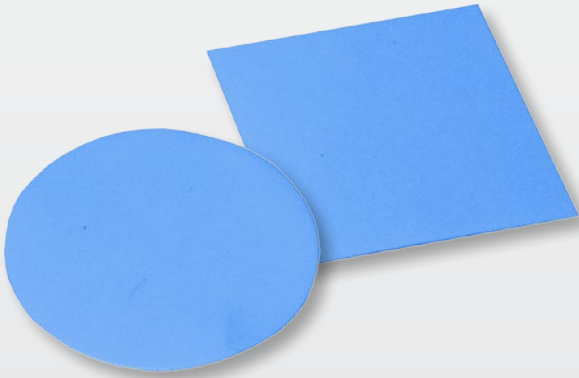
- different length on customer request
- special cable types, e.g. non-halogen power cable N2XH, with improved behaviour in the case of fire (e.g. for tunnel construction) - available on request

article example:

 compression cable lugs 16 – 70, power cable NYY-O
 70 mm² length middle thread hole to middle thread
= item no. 76728 / 50 mm² / length 300 mm
= item no. 70815 / 70 mm² / length 500 mm

 4 Ebs 15.03.17 – 1
 3 Ebs 15.03.21

Components to Weitkowitz earthing terminals and connectors



adhesive sticker for WEB 0

item no. 76544

- adhesive sticker Ø 50 mm, double sided strong adhesive
- with help of these stickers a positioning of a **WEITKOWITZ** connection sleeve WEB 0 is very easily feasible

adhesive sticker for WEB 16

item no. 77137

- adhesive sticker 50 x 50 mm, double sided strong adhesive
- with help of these stickers a positioning of a **WEITKOWITZ** connection sleeve WEB 16 is very easily feasible



hexagon head screw A 4

DIN EN ISO 4017 (DIN 933)

with **WEITKOWITZ**-connection sleeves and **WEITKOWITZ**-earthing terminals out of stainless steel and copper you can use a screw type M16 x 30 on principle! Hexagon head screw out of A 2 are available on request!

flat hole diameter	item no.
M12 x 30	77178
M16 x 25	76539
M16 x 30	76540
M16 x 40	76541



hexagon head nut A 4

DIN EN ISO 4032 (DIN 934)

Hexagon head nut out of A 2 are available on request!

flat hole diameter	item no.
M16	76542



washers A 4

DIN EN ISO 7089 (DIN 125)

Washers out of A 2 are available on request!

dimension	item no.
A 13	77179
A 17	76543



PVC-plug for earthing terminals

thread protection cap for transportation to a construction site or to the final assembly

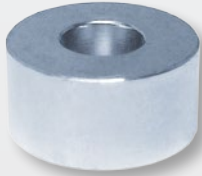
dimension	item no.
16	71489



cable clips

according to DIN 1592 (heavy version) for fixing cable NYY-0 50 mm² / 70 mm² / CuStAl/steel wire and AlMgSt.

dimension	version	item no.
15,5	A4 / S	71438
19	A4 / S	71774
23	A2 / L	71932


Shim washer Ø 40 mm

material: Cu, tin plated

- dedicated as a compensation for deepened lying female connectors M16

thickness	item no.
5 mm	77245
10 mm	77246
15 mm	77247
20 mm	78376
30 mm	78377

Installation hint on page 54.
Other versions on request.

Divider bus bar

3 Ebs. 15.03.36

material: Cu, tin plated

item no. 77236

- connection at the terminal jack
- quick assembly with screw M16
- max. 5 branches per cable possible

Detailed drawing on page 47.

Earthing bus (potential equalization)

material: Cu, tin plated

- ideal for multi connections
- max. 10 connections with 5 hole bus possible
- corrosion-resistant
- connection at concrete walls with dowel screw M10
- connection at steel elements with screw M12

Detailed drawing on page 48.

item no.	L1	L2	D1	N	application
77222	130	192	Ø 11	3	for concrete walls
77242	130	192	Ø 13	3	for steel sustainers
77234	165	227	Ø 11	4	for concrete walls
77243	165	227	Ø 13	4	for steel sustainers
70534	200	262	Ø 11	5	for concrete walls
77244	200	262	Ø 13	5	for steel sustainers

screw bush with cross bar

material: A4

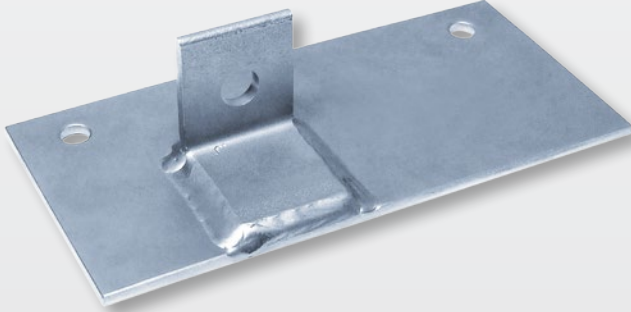
item no. 71420

- building authority and DB licensed fixing element
- applicable for V4A A2 1.4301
- screwed connection M12

Detailed drawing on page 49.

 3 Ebs 15.01.43 and detail A+B
 building control office license no. Z-21.4-87

Components for earthing bridges-, assembly- and construction machines



Fence bar
e.g. item no. 71561 / 4000 mm lang

material: A4

- length according customer's request (max. 4000 mm)
- completely welded with lug angle
- corrosion-resistant

Detailed drawing see on page 50.

3 EBS 15.01.43



Rail – distress connector
4 Ebs. 15.13.51
e.g. item no. 71949 / 1500 mm length

Rail contact clamp with high flexible cable and screwed connections

Cu-earthing cable ESY and ESUY 50mm² to 120 mm²

further details and versions on request. We can provide the connector with your company name.



Earthing equipment for construction machines
e.g. item no. 71584 / 25000 mm length

Connecting terminal for the building machine

- universal clamp with insulated handle

Connecting terminal for the track

- earthing terminal for the track with removable ratchet

Conductor

- ultra flexible copper earthing rope 50 mm², length 25 m transparent coated, processed with two compression cable lugs according to DIN 46235, 50 mm², hole: M 12, die code K14
- the cable and the used cable lugs are transparent shrink-wrapped
- completely assembled and immediately ready for use.

We are able to offer you further clamps, in different lengths and cross sections on request.



Hydraulic tools

STILO1 – hydraulic battery tool 45 kN



Characteristics

- extremely quick processing due to a three-stage axial piston pump
- wide application range up to 150 mm²
- 270° revolving head with quick opening and closing
- automatic pressure limits and monitoring through pressure sensor
- engine shutdown and automatic retract after completed pressing
- manual retract with button
- save of all crimps and error messages on internal memory
- selections of all cycles and error messages about USB interface
- no uncompleted pressing cycles through ongoing monitoring of the rest battery cargo load
- controlled engine drive to the life extension of gearbox, engine and battery
- integrated service management and software updates about the USB interface
- fast tool return pipe through high return flow volume
- sleep-mode; maintenance indication and battery control
- integrated, intelligent electronics assembly with multifunctional LED
- mini-USB interface for all standard computer systems for:
- Li-Ion battery with charge level indicator: 18 V 1.5 Ah
- measurements: 370 x 123 x 80 mm
- max. piston stroke: 16 mm; press capacity: 45 kN
- weight incl. battery: 2.3 kg

Pressing dies hexagon DIN 48083 part 4

in order to process from
 – Cu-cable lugs DIN 46235
 – Al- and cable lugs
 – 3 Ebs 15.03.21



die code	Cu (mm ²) black	item-no.	Al (mm ²) silver colored	item-no.
10	25	91474	–	–
12	35	91475	–	–
14	50	91746	–	–
16	70	91477	–	–
18	95	91478	–	–
20	120	91479	–	–
22	150	90316	–	–
22	–	–	120	90318
22	–	–	95	90319

More pressing dies on request!

Delivery completely:

- Hydraulic tool including 1x battery and 1x battery charger
- Manual
- Software
- USB connection cable
- Carrying bag without dies

item no.	description
91100	hydraulic tool STILO1
91101	replacement

Battery-powered compression tool APi 20



Battery-powered hydraulic compression tool for crimping cable lugs and connectors up to 300 mm².

Advantages:

- extremely quick processing due to a two-stage hydraulic pump
- wide application range up to 300 mm²
- 360° revolving head with quick opening and closing
- integrated pressure relief valve, false pressings cause no damage at tool nor dies
- lithium-ionen-battery without memory effect, self-discharges very low
- high capacity due to 3.0 Ah-battery
- eyelet balancer and carrying strap available
- ergonomic handle with a balanced weight distribution for sure work free of tiredness
- case, handle shell and pressure discharge key completely from isolated and push-firm plastic material
- integrated electronic module for:
 - permanent accumulator-loading state control
 - supervision of the working process and state announcement
 - announcement of the next service interval
 - mistake announcement at possible disturbances
- delivery completely with battery, battery charger, supporting loop for transport and safety, transport plastic case

technical data:

press capacity	62 kN
operating voltage.....	14,4 Volt
tool measurements.....	95 x 350 x 310 mm
weight.....	3,9 kg (with battery)
battery charger	220-240 V 50-60 Hz 7,2-18V
loading time.....	50 minutes

item no. 91142

Delivery contains hydraulic tool, battery, battery charger and transport case.

Pressing dies hexagon DIN 48083 part 4

in order to process from
 - Cu-cable lugs DIN 46235
 - Al- and cable lugs
 - 3 Ebs 15.03.21



die code	Cu (mm ²) black	item-no.	Al (mm ²) silver colored	item-no.
10	25	91491	-	-
12	35	91492	-	-
14	50	91793	-	-
16	70	91494	-	-
18	95	91495	-	-
20	120	91496	-	-
22	150	91497	-	-
22	-	-	120	91498
22	-	-	95	91499

More pressing dies on request!

Hydraulic Tool



item no. 91422

characteristics:

- light, compact and robust structure
- double piston technology for rapid high pressure feed
- quick tool return by high return conveyor volumetric
- pressure supervision with an electronic pressure sensor
- high performance battery (lithium-ion - without memory effect)
- start or drive up and return at the remote control
- state of charge at the battery available
- with remote control 1.5 m
- switch on at the device and with the remote control
- LED-display (green) for correct processing on the device and remote control
- LED-display for battery and disturbance at the device
- automatically energy saving mode after 5 minutes
- save of all crimps and error messages on internal memory (approx. 100.000 cycles)
- read out of all cycles and error messages about USB
- no uncompleted crimping cycles by running supervision of the rest battery load
- control by means of microcontroller
- controlled engine drive for the life rise of gear, engine and battery
- automatic and manual retract, retract stop function
- immediate cutting opening after cut and letting go the button (automatic cutting detection)
- integrated service-management
- software update about USB connection
- temperature monitor
- you can carry the pump with a carrying strap
- you can fasten the remote control at the device, at a belt or carrying strap with clamping bracket or magnet on an even surface.

Delivery completely with remote control 1.5 m, flexible high pressure hose 1.5 m, USB-cable, Li-Ionen battery 18V 3.0 Ah, battery-charger device, software (CD), shoulder strap, carry bag with additional pockets.

technical data:

capacity within the range of low pressures
 < 100 bar..... 1,15 l/min
 capacity within the range of pressures
 up to 700 bar..... 0,15 l/min
 operation pressure.....max. 700 bar
 power..... 200 W

battery voltage..... 18 V DC
 battery capacity3,0 Ah
 operating temperature- 20° C bis + 55° C
 measurements..... 190 x 290 x 205 mm
 weight..... 4,6 kg (with battery)

Hydraulic Tools



Hydraulic compression head HPW 20

Hydraulic compression head for crimping cable lugs and connectors up to 300 mm².

advantages:

- light, handy, compact construction
- wide application range
- hinged head, therefore quick insertion and removal of cable lugs and connectors
- quick connection via plug-in coupling free of leakage
- unior APi 20 and HPi 20 are available
- delivery in a transport caseout of plastic

technical data:

hydraulic pressure.....max. 700 bar (70 MPa)
 press capacity.....ca. 60 kN
 length 198 mm
 weight.....1,7 kg

item no. 90656

Battery-powered hydraulic cable cutter AS 45-1

for cut off fine wiring aluminium and copper cables as well as ALU-steel-wire up to 45 mm outside diameter.



advantages:

- extremely quick processing due to a two-stage hydraulic pump
- 360° revolving head with quick opening and closing
- large cutting range, see chart below
- lithium-ionen-battery without memory effect, self-discharges very low
- high capacity due to 3.0 Ah battery
- fastening eye for balance and carrying strap available
- ergonomic handle with a balanced weight distribution for sure work free of tiredness
- case, handle shell and pressure discharge key completely from isolated and push-firm plastic material
- integrated electronic module for:
 - permanent accumulator-loading state control
 - supervision of the working process and state announcement
 - announcement of the next service interval
 - mistake announcement at possible disturbances

delivery completely with battery, battery charger, supporting loop for transport and safety, transport plastic case

technical data:

cutting force..... approx. 60 kN
 operating voltage..... 14,4 Volt
 total measurements 95 x 450 x 310 mm
 weight..... 4,9 kg (incl. battery)
 battery charger 220–240V 50–60 Hz 7,2–18V
 time of loading..... ca. 50 minutes

art.-no.: 91182

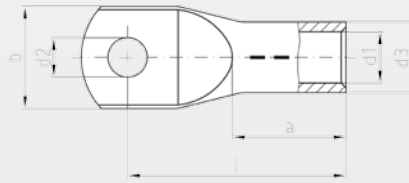
additional equipment for ASi 45 on page xx!



**Copper and Aluminium
Cable lugs**

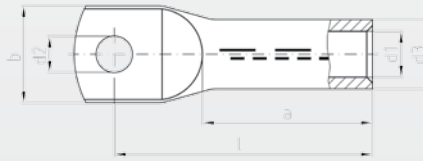
Tubular compression cable lugs 25 – 150 mm², DIN 46235

 material: Cu according to DIN EN 13600
 surface: tin plated or optionally uncoated

according to 3 Ebs 15.03.021

 * not standardized,
 tube measurements in
 accordance with DIN 46235

cross section mm ²	flat hole M	item no. tin plated	die- code	dimensions in mm						weight 100 Stk./kg	packing-unit (pcs.)	item no. blank
				d1	d3	d2	b	l	a			
25	8	14216	10	7	10	8,4	17	39	20	1,73	100	14616
	10	14217				10,5	17	40,5		1,77	100	14617
	12	14218				13	18	40,5		1,72	100	14618
35	8	14221	12	8,2	12,5	8,4	18	42	20	3,19	100	14621
	10	14222				10,5	20	42,5		3,17	100	14622
	12	14223				13	21	44		3,11	100	14623
50	8	14225	14	9,8	14,5	8,4	20	52	28	5,00	100	14625
	10	14226				10,5	22	52		4,94	100	14626
	12	14227				13	23	52		4,91	100	14627
	16	14228				17	28	55,5		5,04	100	14628
	20*	14229				21	30	61,5		5,56	100	14629
70	8	14230	16	11,3	16,5	8,4	24	56	28	6,54	50	14630
	10	14231				10,5	24	56		6,54	50	14631
	12	14232				13	24	56,5		6,57	50	14632
	16	14233				17	29	57		6,92	50	14633
	20*	14234				21	31	61		6,99	50	14634
95	10	14236	18	13,5	19	10,5	28	65,5	35	9,55	50	14636
	12	14237				13	28	65,5		9,45	50	14637
	16	14238				17	30	65,5		9,44	50	14638
	20*	14239				21	33	71		9,86	50	14639
120	10	14240	20	15,5	21	10,5	31	70	35	11,40	50	14640
	12	14241				13	31	70,5		11,43	50	14641
	16	14242				17	31,5	70		11,36	50	14642
	20	14243				21	36	72		11,51	50	14643
150	10	14245	22	17	23,5	10,5	34	79	35	16,46	25	14645
	12	14246				13	34	78,5		16,53	25	14646
	16	14247				17	34	78		16,35	25	14647
	20	14248				21	38	78		16,34	25	14648

Tubular compression cable lugs 95 – 120 mm², for aluminium conductors DIN 48 201-1
dimensions in accordance to DIN 46329 und DIN 46267 part 2
 material: Al 99.5, surface: uncoated, sleeves are prefilled with compound



*rm = round stranded
 sm = sector stranded

**se = sector solid
 (Sector solid shaped conductors must be rounded with dies for round-forming.)

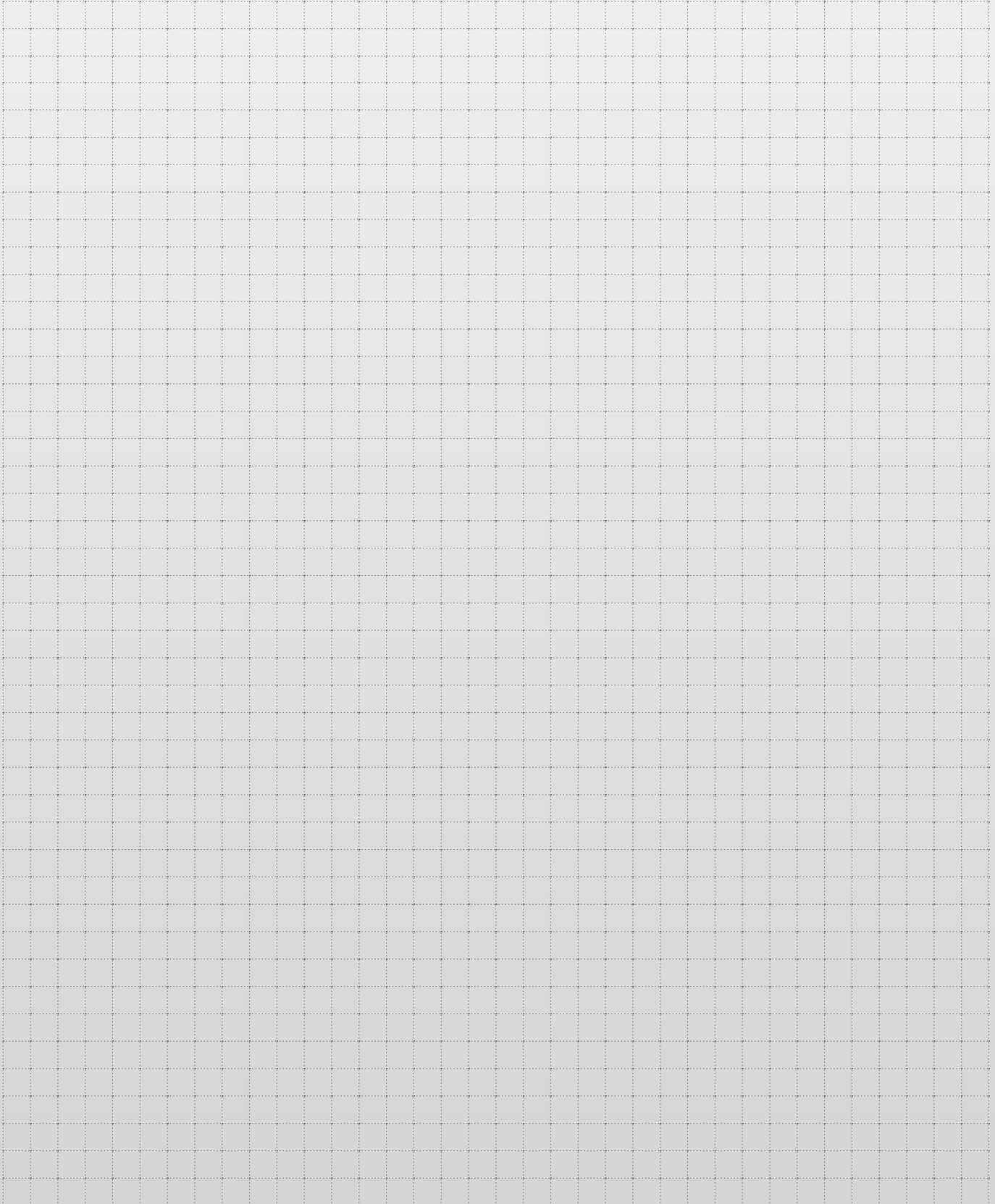
cross section (mm ²)		flat hole M	item no.	die- code	dimensions in mm						weight 100 Stk./kg	packing-unit (pcs.)
rm/sm*	se**				d1	d3	d2	b	l	a		
95*	120	10	21236	22	13,2	22	10,5	32	90	55	7,01	10
		12	21237				13	32	90		7,82	10
		16	21238				17	32	90		7,62	10
120*	150	10	21240	22	14,7	23	10,5	32	98	60	8,38	10
		12	21241				13	32	98		8,79	10
		16	21242				17	32	98		8,64	10

* 2 Ebs 15.03.22 – 2

Visit our website for more cable lugs etc. at
www.weitkowitz.de



Notes





Drawings
WEITKOWITZ-earthing bridges
in accordance to 3 Ebs. 15.03.19

Drawing – WEITKOWITZ – earthing bridges

Befestigungsmöglichkeiten an der Schalung

O-Ring
Schraube M16

ORIGINAL

3 WEB 0 Bauart A mit O-Ring

L = nach Kundenwunsch
Ø50
M16

O-Ring
Montierisen Ø16
V-Nahlt 4,5mm lang

Schweißnähte an der Bewehrung gemäß Verarbeitungshinweis Seite 29

1 WEB 0 Bauart A

L = nach Kundenwunsch
Ø50
M16

2 WEB 0 Bauart B
(mit Flachstahl 50 x 5)

200
Ø50
M16
N min. 4,5mm lang

Klebeppapier für Schalung

Einbaubeispiel

Anschluss des Erdungsverbinders

Scheibe DIN EN ISO 7089 - A17 - A2
Sechskantschraube DIN EN ISO 4017 - M16 x 30 - A2

WEB 0 Bauart A, C, D, E

	l
Bauart A	62,5 mm
Bauart B	53,0 mm
Bauart C	71,5 mm
Bauart D	69,5 mm
Bauart E	79,5 mm

WEB 0 Bauart	71821	V2A	6
WEB 0 Bauart E	71821	V2A	6
WEB 0 Bauart D	71822	V2A	5
WEB 0 Bauart C	71121	V2A	4
WEB 0 Bauart A mit O-Ring	71826	V2A	3
WEB 0 Bauart B	71311	V2A	2
WEB 0 Bauart A	71100	V2A	1

Normblatt oder Firmen-Zeichnungs-Nr.
144 Maßstab, Modell-Nr., Gestank-Nr., kg/5l, DB-Material-Nr., DB-Zeichnungs-Nr.

Verwendbar für:
Bänderung
Rückstromführung
Potentialausgleich

DB (DB) **3 Ebs 15.03.19 - 8**

Freigegeben
Freigegeben an Mein
den 19.07.2004
T.TZF 72
gez. Bergwardt
Küfte ohne
Telefonanfrage

Beaufh.	Datum	Name
17.05.2004		Mitzake
18.05.2004		V. Herms
15.07.2004		Reisch

001 Stückliste geändert
Ang. der Bauart ers.
Varianten ergänzt

18.05.11 (18.05.11)
17.07.11 (17.07.11)

Zust. Änderung Datum Name Urspr. Ers.f.

Erdschleifen WEB 0 Einbaubeispiele

71100 und Varianten

Blatt

Vervielfältigung und Verwertung nur für Zwecke der DB AG frei

Drawing – WEITKOWITZ – earthing bridges

Vervielfältigung und Verwertung
nur für Zwecke der DB frei

**Befestigungsmöglichkeiten
an der Schalung
und auf dem Schalttisch**

Schraube M16

Klebe-Pad
für Schalttische

Monierisen #16

Anschluss des Erdungsverbinders

Scheibe DIN EN ISO 7089 - T7 - A2

Sechskantschraube DIN EN ISO 4017 - M16 x 30 - A2

Einbaubeispiel

2 WEB 16 Bauart B
(mit 90° gedrehtem Anschweifwinkel)

Monierisen #16

Kehlnaht 4mm, 50mm lang

Schraube M16

4 WEB 16 Bauart D
(mit angeschweiftem T-Profil
a = 60, 70 oder 80)

Schraube M16

Stumpfnahse min. 4mm
50mm lang

3 WEB 16 Bauart C
(mit angeschweiftem Flachstab)

Kehlnaht 4mm, 50mm lang

200

5

1 WEB 16 Bauart A

Monierisen #16

Kehlnaht 4mm, 50mm lang

Technische Freigabe

Oberleitungstechnisch geprüft:
DB Netz AG T.Zf. 72, 05.2007, gez. Berthold
(Name)
(CE) (Datum)

WEB 16 Bauart D/60	71789	V2A/St	4
WEB 16 Bauart D/70	71790	V2A/St	4
WEB 16 Bauart D/80	71791	V2A/St	4
WEB 16 Bauart C	71620	V2A/St	3
WEB 16 Bauart B	71560	V2A/St	2
WEB 16 Bauart A	71328	V2A/St	1

Benennung: Normblatt oder Firmen-Zeichnung-Nr. Werkstoff

Verwendbar für: DB gesehen, Material-Nr. 3 Ebs 15.03.19 - 23
Bahnerdung, Rückstromführung, Potentialausgleich

Menge ohne Toleranzangabe

Abg. Datum: / /

Herst. /

Erdsbrücken WEB 16

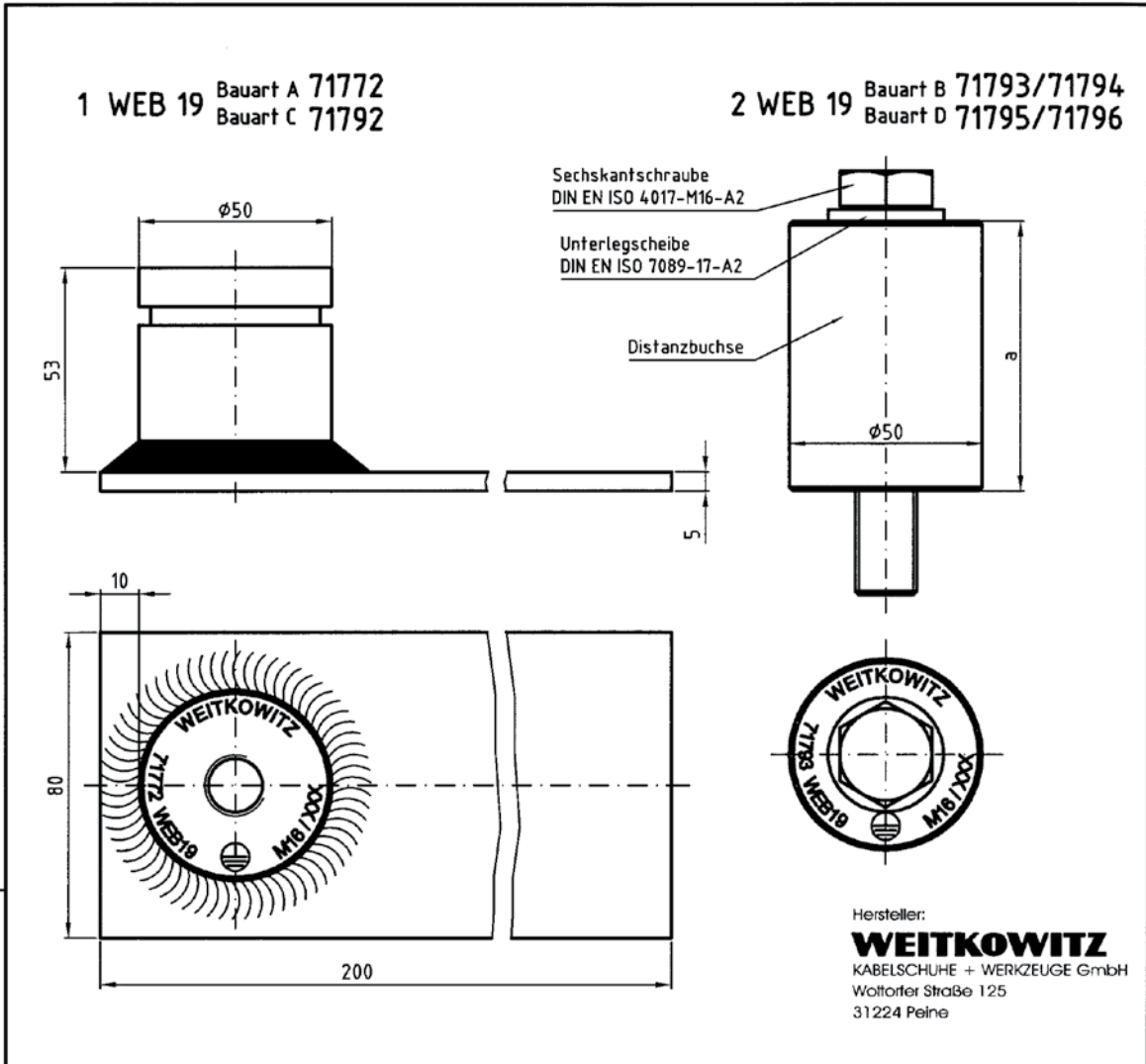
71328 und Varianten

Bauart

Erst. /

Drawing – WEITKOWITZ – earthing bridges

CAD-Zeichnung,
darf nicht manuell geändert werden!



Hersteller:
WEITKOWITZ
KABELSCHUHE + WERKZEUGE GmbH
Waltorfer Straße 125
31224 Peine

WEB 19 Bauart D	71796	V4A/St	90	2			
WEB 19 Bauart D	71795	V4A/St	70	2			
WEB 19 Bauart B	71794	V2A/St	90	2			
WEB 19 Bauart B	71793	V2A/St	70	2			
WEB 19 Bauart C	71792	V4A/St		1			
WEB 19 Bauart A	71772	V2A/St		1			

Benennung	Normblatt oder Firmen-Zeichng.-Nr.	Werkstoff	Maß a	Lfd. Nr.	Halbzeug, Modell-Nr., DB-Zeichnungs-Nr.	Gesenk-Nr.	kg/St	DB-Material-Nr.
-----------	------------------------------------	-----------	-------	----------	---	------------	-------	-----------------

Verwendbar für: Bahnstromschaltanlagen		Die Bahn DB DB Energie GmbH <i>A. Moschkau</i> T. EBZ 5 Frankfurt / Main, den. <u>23.08.2010</u>		4 Eku 313 010			
		Ausg. Datum					
		Maßstab		-/-			
		Datum		Name			
		19.08.2010		M.Haase			
		19.08.2010		V.Hennies			
		Norm					
		Planprüf.					
		WEITKOWITZ KABELSCHUHE + WERKZEUGE		Erdungsbrücken WEB 19			
				71772 und Varianten			
				Blatt 1			
				von 1 Bl.			
Zust.	Änderung	Datum	Name	Urspr.	Ers.f.	Ers.d.	B

Vervielfältigung und Verwertung
nur für Zwecke der DB frei

Drawing – WEITKOWITZ – earthing bridges

Vervielfältigung und Verwertung
nur für Zwecke der DB frei

CAD-Zeichnung,
darf nicht manuell geändert werden!

Befestigungsmöglichkeiten an der Schalung

0-Ring
Schraube M16
Schraube M16
Va-Nagel ø2
Va-Nagel ø2

Verbindungsstelle korrosionsschutz

Variante 90° abgewinkelt

WEB 1 Artikel-Nr. 71101 (95mm²)
WEB 8 Artikel-Nr. 71113 (70mm²)

WEB 6 Artikel-Nr. 71106 (95mm²)
WEB 9 Artikel-Nr. 71115 (70mm²)

WEB 7 Artikel-Nr. 71107 (95mm²)
WEB 10 Artikel-Nr. 71116 (70mm²)

Kabel 70mm² NYY-0 bzw.
Kabel 95mm² NYY-0
Kabel 70mm² H07V-K
Kabel 95mm² H07V-K

Kabel 70mm² NYY-0 bzw.
Kabel 95mm² NYY-0
Kabel 70mm² H07V-K
Kabel 95mm² H07V-K

Kabel 70mm² NYY-0 bzw.
Kabel 95mm² NYY-0
Kabel 70mm² H07V-K
Kabel 95mm² H07V-K

L nach Kundenwunsch

V-Nagel -Nagelabstärkte 4mm,
50mm lang, beidseitig
Montieren ø16

O-Ring
M16
ø25
45
25
5
35
8/2

Technische Freigabe

Oberleitungstechnisch geprüft:
DB Netz AG **TZF 73 09.2002** gez. Resch (Name)
(CE) (Datum)

Kabeltyp H07V-K
EM (EB) TF 006/2004 **07.2004** gez. Rüggner (Name)
(Datum)

Anschluss des Erdungsverbinders

Scheibe DIN EN ISO 7089 - A17 - A2
Sechskantschraube DIN EN ISO 4017 - M16 x 30 - A2

Einbaubeispiel

Genehmigt
Ausgabe: 17.05.2002
Eisenbahn - Bundesamt
Zentrale / Büro Berlin
GZ: 224.52 Shz
3018465
Berlin: 06.2002
Gez. Stauch

Benennung	Bestell-Nr.	DB-Material-Nr.	Material
WEB 1	71101	738 894	Cu-ETP - verzinkt / St
WEB 6	71106	738 895	Cu-ETP - verzinkt
WEB 7	71107	738 896	St
WEB 8	71113		Cu-ETP - verzinkt / St
WEB 9	71115		Cu-ETP - verzinkt
WEB 10	71116		St

Verwendbar für:
Bahnerdung
Rückstromführung
Potentialausgleich

DB gesehen
Freigegeben an Bahn
07/2004
T.ZF 72
Hilfe ohne
Toleranzangabe

3 Ebs 15.03.19 Bl. 9

Ausg. Datum
Haltbar -/-

Erdungsbrücken WEB 1, 6, 7, 8, 9, 10 Einbaubeispiele	
71101	
Blatt	

001	Varianten erhöht / Änderung	17.05.2004	HS	Name	Urspr.
Ers.f. 3 Ebs 15.03.19 Bl. 9 Aug. 09/02 Ers. d.					

Drawing – WEITKOWITZ – earthing bridges

Vervielfältigung und Verwertung
nur für Zwecke der DB frei

CAD-Zeichnung,
darf nicht manuell geändert werden!

Befestigungsmöglichkeiten an der Schalung

0-Ring
Schraube M16
VA-Nagel ø2

Verbindungsstelle korrosionsschutz

Variante 90° abgewinkelt

Technische Freigabe

Oberleitungstechnisch geprüft:
DB Netz AG T.ZF 73 09.2002 gez. Resch (Name)
(Datum)

Kabeltyp H07V-K
EM (EB) TF 006/2004 07.2004 gez. Rügener (Name)
(Datum)

Varianten:

- WEB 11 Artikel-Nr. 71117 (70mm²)
WEB 12 Artikel-Nr. 71118 (95mm²)
- WEB 13 Artikel-Nr. 71125 (70mm²)
WEB 14 Artikel-Nr. 71126 (95mm²)

Kabel 70mm² NYY-0 bzw.
Kabel 95mm² NYY-0
Kabel 70mm² H07V-K
Kabel 95mm² H07V-K

Varianten:

- WEB 11 Artikel-Nr. 71117 (70mm²)
WEB 12 Artikel-Nr. 71118 (95mm²)
- WEB 13 Artikel-Nr. 71125 (70mm²)
WEB 14 Artikel-Nr. 71126 (95mm²)

Kabel 70mm² NYY-0 bzw.
Kabel 95mm² NYY-0
Kabel 70mm² H07V-K
Kabel 95mm² H07V-K

Einbaubeispiele

Scheibe DIN EN ISO 7089 A17 - A2
Sechskantschraube DIN EN ISO 4017 - M16 x 30 - A2

Anschluss des Erdungsverbinders

0-Ring
M16
M16
55
63

Variante mit 0-Ring für Tunnelbau

0-Ring
M16
55
63

Einbaubeispiele

Einbaubeispiele

Einbaubeispiele

Einbaubeispiele

Einbaubeispiele

Einbaubeispiele

Einbaubeispiele

Einbaubeispiele

Einbaubeispiele

Einbaubeispiele

Einbaubeispiele

Einbaubeispiele

Einbaubeispiele

Einbaubeispiele

Einbaubeispiele

Einbaubeispiele

Einbaubeispiele

Einbaubeispiele

Einbaubeispiele

Einbaubeispiele

Einbaubeispiele

Einbaubeispiele

Einbaubeispiele

Einbaubeispiele

Einbaubeispiele

Einbaubeispiele

Einbaubeispiele

Einbaubeispiele

Einbaubeispiele

Einbaubeispiele

Einbaubeispiele

Einbaubeispiele

Einbaubeispiele

Einbaubeispiele

Einbaubeispiele

Einbaubeispiele

Einbaubeispiele

Einbaubeispiele

Einbaubeispiele

Einbaubeispiele

Einbaubeispiele

Einbaubeispiele

Einbaubeispiele

Einbaubeispiele

Einbaubeispiele

Einbaubeispiele

Einbaubeispiele

Einbaubeispiele

Einbaubeispiele

Einbaubeispiele

Einbaubeispiele

Einbaubeispiele

Einbaubeispiele

Einbaubeispiele

Einbaubeispiele

Einbaubeispiele

Einbaubeispiele

Einbaubeispiele

Einbaubeispiele

Einbaubeispiele

Einbaubeispiele

Einbaubeispiele

Einbaubeispiele

Einbaubeispiele

Einbaubeispiele

Einbaubeispiele

Einbaubeispiele

Einbaubeispiele

Einbaubeispiele

Einbaubeispiele

Einbaubeispiele

Einbaubeispiele

Einbaubeispiele

Einbaubeispiele

Einbaubeispiele

Einbaubeispiele

Einbaubeispiele

Einbaubeispiele

Einbaubeispiele

Einbaubeispiele

Einbaubeispiele

Einbaubeispiele

Einbaubeispiele

Einbaubeispiele

Einbaubeispiele

Einbaubeispiele

Einbaubeispiele

Einbaubeispiele

Einbaubeispiele

Einbaubeispiele

Einbaubeispiele

Einbaubeispiele

Einbaubeispiele

Einbaubeispiele

Einbaubeispiele

Einbaubeispiele

Einbaubeispiele

Einbaubeispiele

Einbaubeispiele

Einbaubeispiele

Einbaubeispiele

Einbaubeispiele

Einbaubeispiele

Einbaubeispiele

Einbaubeispiele

Einbaubeispiele

Einbaubeispiele

Einbaubeispiele

Einbaubeispiele

Einbaubeispiele

Einbaubeispiele

Einbaubeispiele

Einbaubeispiele

Einbaubeispiele

Einbaubeispiele

Einbaubeispiele

Einbaubeispiele

Einbaubeispiele

Einbaubeispiele

Einbaubeispiele

Einbaubeispiele

Einbaubeispiele

Einbaubeispiele

Einbaubeispiele

Einbaubeispiele

Einbaubeispiele

Einbaubeispiele

Einbaubeispiele

Einbaubeispiele

Einbaubeispiele

Einbaubeispiele

Einbaubeispiele

Einbaubeispiele

Einbaubeispiele

Einbaubeispiele

Einbaubeispiele

Einbaubeispiele

Einbaubeispiele

Einbaubeispiele

Einbaubeispiele

Einbaubeispiele

Einbaubeispiele

Einbaubeispiele

Einbaubeispiele

Einbaubeispiele

Einbaubeispiele

Einbaubeispiele

Einbaubeispiele

Einbaubeispiele

Einbaubeispiele

Einbaubeispiele

Einbaubeispiele

Einbaubeispiele

Einbaubeispiele

Einbaubeispiele

Einbaubeispiele

Einbaubeispiele

Einbaubeispiele

Einbaubeispiele

Einbaubeispiele

Einbaubeispiele

Einbaubeispiele

Einbaubeispiele

Einbaubeispiele

Einbaubeispiele

Einbaubeispiele

Einbaubeispiele

Einbaubeispiele

Einbaubeispiele

Einbaubeispiele

Einbaubeispiele

Einbaubeispiele

Einbaubeispiele

Einbaubeispiele

Einbaubeispiele

Einbaubeispiele

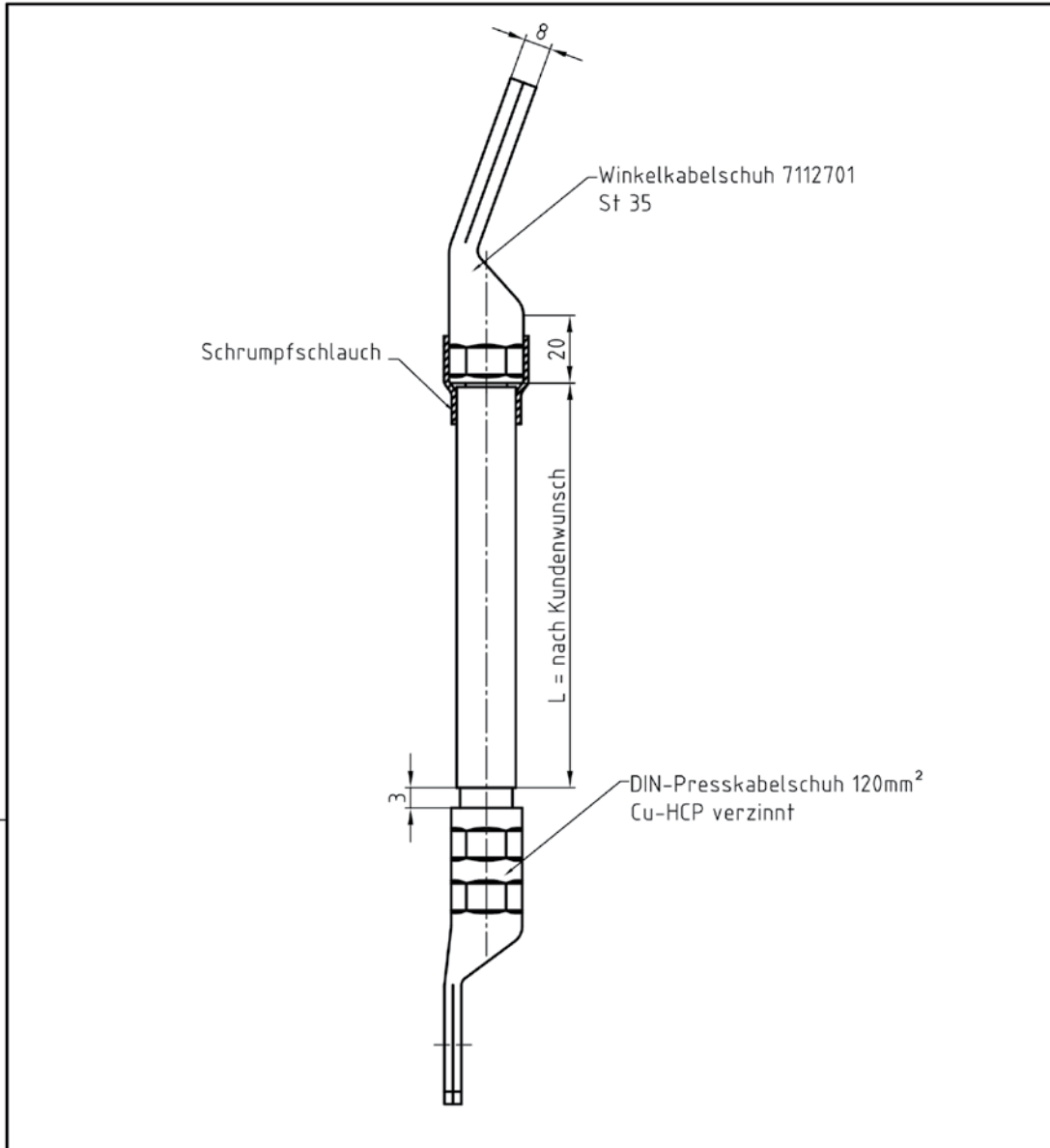
Einbaubeispiele

Einbaubeispiele

Einbaubeispiele

Drawing – WEITKOWITZ – earthing bridges

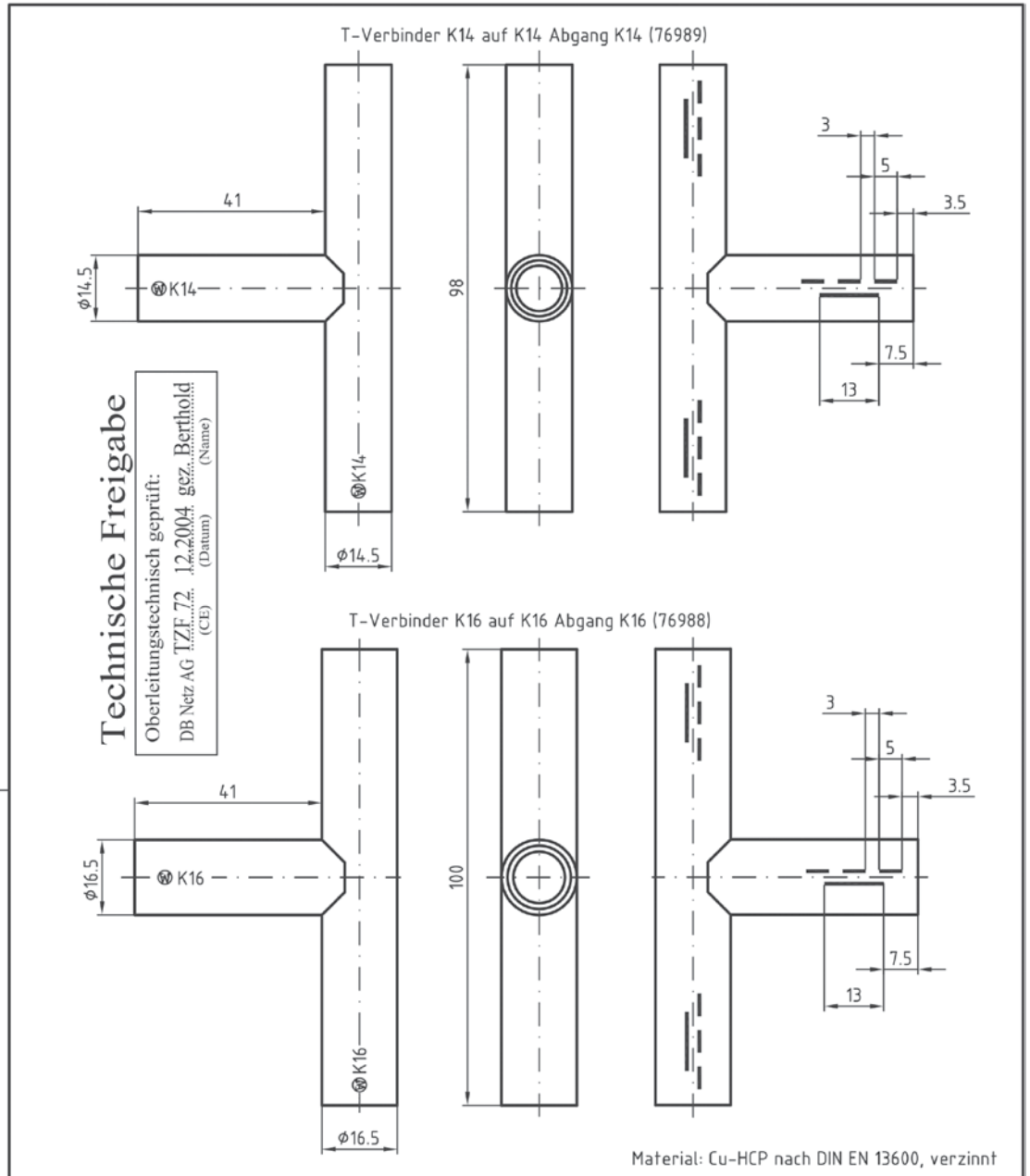
CAD-Zeichnung,
darf nicht manuell geändert werden!



Vervielfältigung und Verwertung
nur für Zwecke der DB frei

WEB 15 St	71127	95mm ² St	1	Ebs 20.01.02		
Benennung	Normblatt oder Firmen-Zeichn.-Nr.	Werkstoff	Lfd.	Halbzeug, Modell-Nr., Gesenk-Nr., DB-Zeichnungs-Nr.	kg/St	DB-Material-Nr.
Verwendbar für: Bahnerdung Rückstromführung Potenzialausgleich	DB gesehen Frankfurt am Main den I.NVT 43 Maße ohne Toleranzangabe	4 Ebs 15.03.25-2				
	Datum	Name	Ausg.	Datum		
	Bearb. 21.06.2013					
	Gepr. 21.06.2013					
	Norm		Maßstab	-/-		
	Planprüf.		Erdungsverbinder WEB 15 St für die Masterdung am Großrohr			
	WEITKOWITZ KABELSCHUHE + WERKZEUGE		71127			Blatt
Zust.	Änderung	Datum	Name	Urspr.	Ers.f. Ebs. 15.03.25-1	Ers. d.
						Bl. B

Drawing – WEITKOWITZ – T-connector



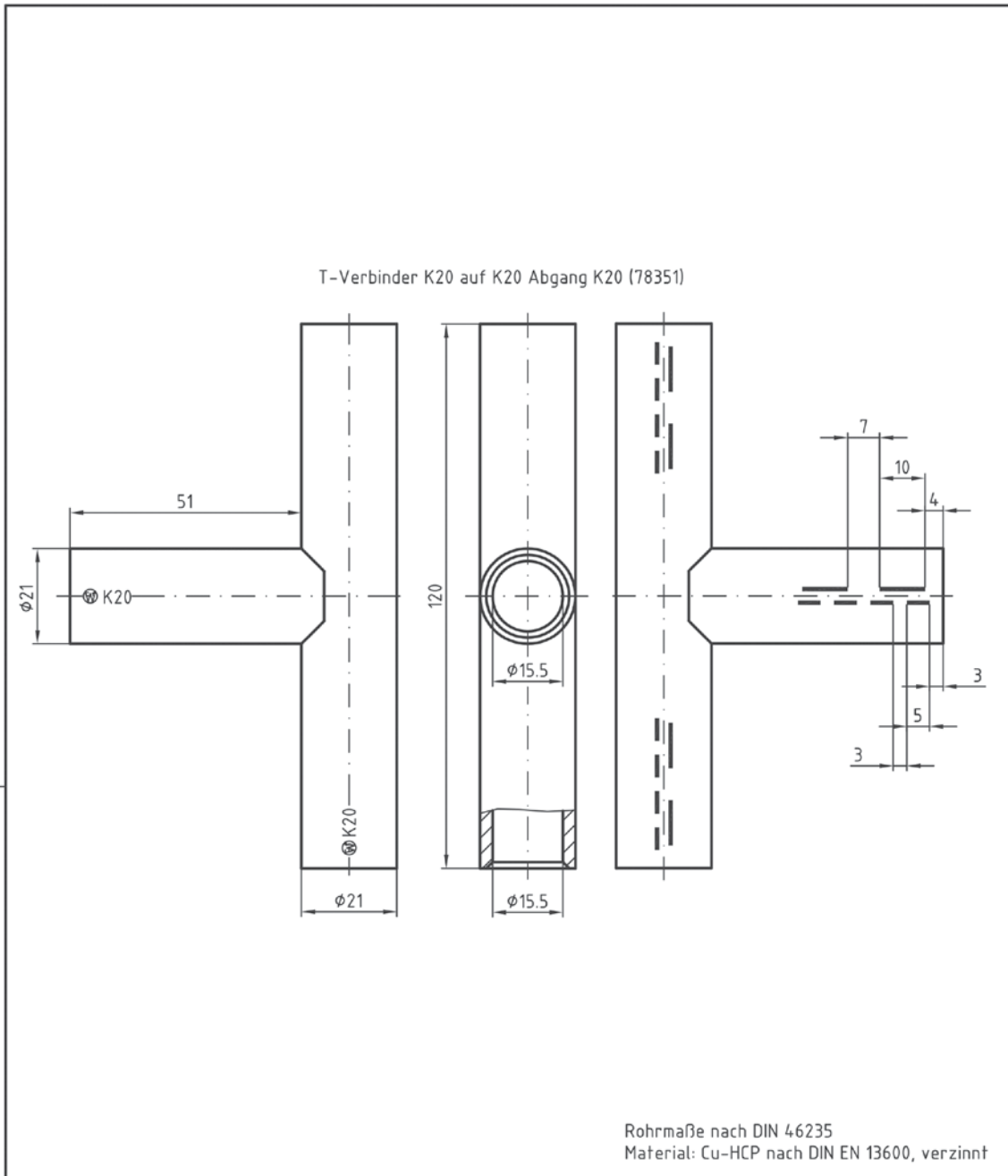
Technische Freigabe
Oberleitungstechnisch geprüft:
DB Netz AG T.ZF.72 12.2004 gez. Berthold
(CE) (Datum) (Name)

Material: Cu-HCP nach DIN EN 13600, verzinkt

Vervielfältigung und Verwertung nur für Zwecke der DB frei

Verwendbar für: Bahnerdung Rückstromführung Potentialausgleich		gesehen Frankfurt am Main den 13.12.2004 gez. Berthold T.TZF 72 Maße ohne Toleranzangabe	4Ebs 15.03.35 Bl.1	
			Ausg.	
		Datum		
		Maßstab	-/-	
		T-Verbinder		
		76988/76989		Blatt 1
001	Blattzahl erhöht	30.08.10	Haase	2 Bl.
		10.09.10	Resch	B
Zust.	Anderung	Datum	Name	
			Urspr.	
			Ers.f.	Ers. d.

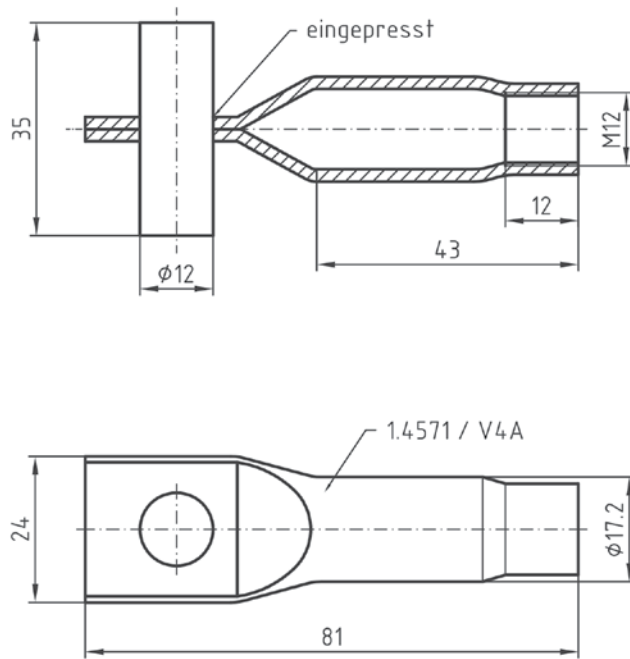
Drawing – WEITKOWITZ – T-connector



Vervielfältigung und Verwertung
nur für Zwecke der DB frei

Verwendbar für: Bahnerdung Rückstromführung Potentialausgleich		DB gesehen Frankfurt am Main den	4Ebs 15.03.35 Bl.2			
			Ausg.			
		TTZ 242	Datum			
		Maße ohne Toleranzangabe	Maßstab -/-			
			T-Verbinder 120mm²			
		WEITKOWITZ KABELSCHUHE + WERKZEUGE	78351			Blatt 2
Zust.	Änderung	Datum	Name	Urspr.	Ers.f.	Ers.d.

Drawing – WEITKOWITZ thread sleeve



Bauaufsichtliche Zulassungs-Nr.: Z-21.4-87

Detail X in 3 Ebs 15.01.43

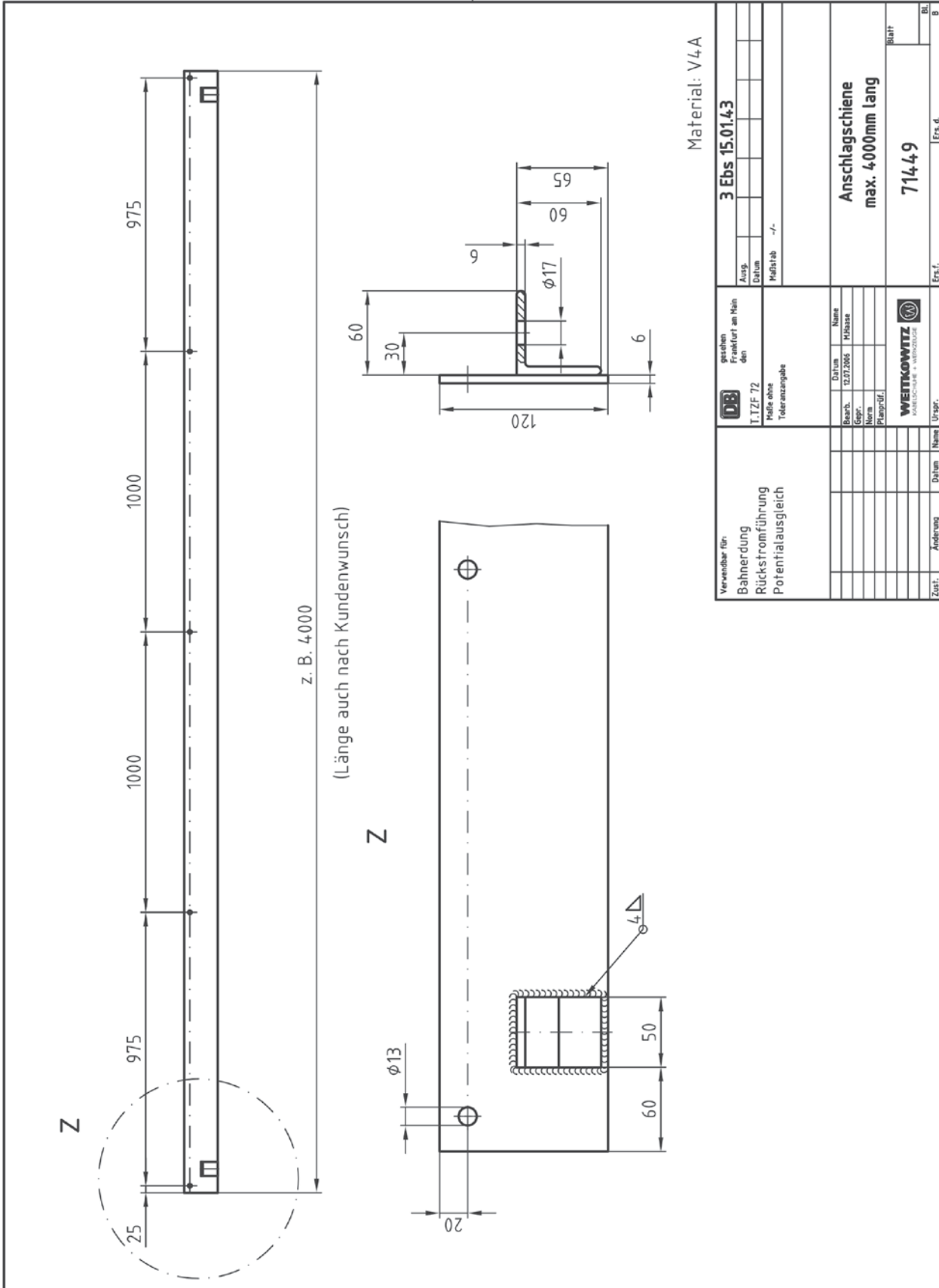
Vervielfältigung und Verwertung nur für Zwecke der DB frei

Verwendbar für: Brücken- und Ingenieurbau		 gesehen Frankfurt am Main den T.TZF 72 Maße ohne Toleranzangabe ISO 2768 m	Ausg.					
			Datum					
		Maßstab		-/-				
		Datum		Name				
		Bearb.		12.09.2005		M.Haase		
		Gepr.						
		Norm						
		Planprüf.						
				Gewindehülse mit Querstab				
		71420						
Zust.	Änderung	Datum	Name	Urspr.	Ers.f.	Ers. d.	Blatt	
							B.	

Drawing – WEITKOWITZ – stop rail

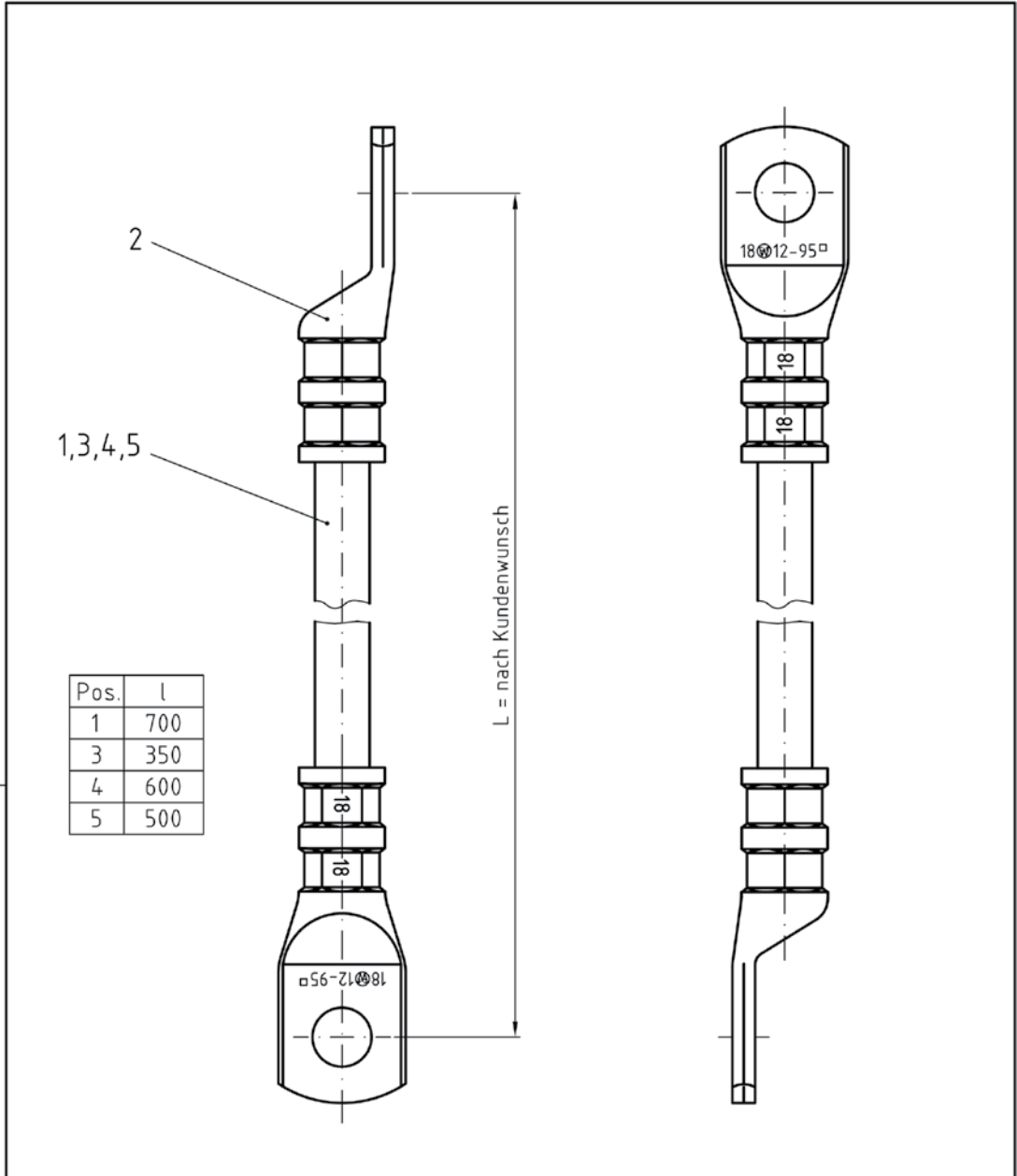
Vervielfältigung und Verwertung
nur für Zwecke der DB frei

CAD-Zeichnung,
darf nicht manuell geändert werden!



Drawing – WEITKOWITZ – earthing rope for wagon grounding

CAD-Zeichnung,
darf nicht manuell geändert werden!

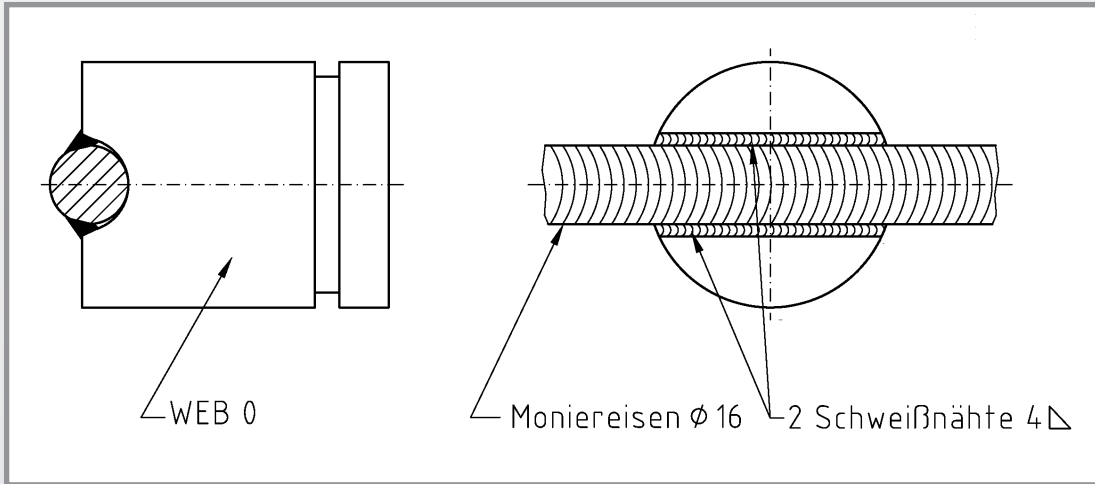


Vervielfältigung und Verwertung
nur für Zwecke der DB frei

Verwendbar für: Güt		DB BZA Minden/W den	4 Fwg 000.0.76.068.001			
		Masse ohne Toleranzangabe ISO 2768 c	Ausg. _____ Datum _____			
			Maßstab -/-			
			Erdungsseil vollständig			
			Blatt 1			
			1 Bl. B			
Zust.	Änderung	Datum	Name	Urspr.	Ers.f.	Ers. d.

Processing instruction WEITKOWITZ connection sleeve WEB 0

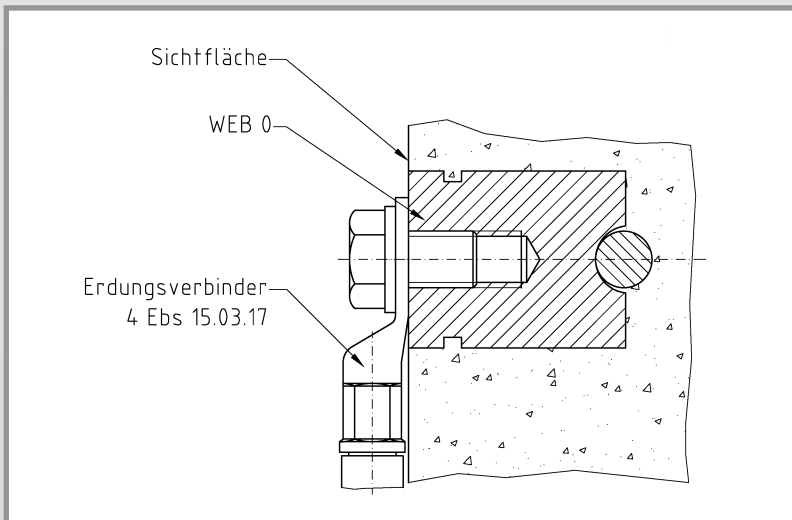
item no. 71100



Welding connection via electrode-hand- or MAG-welding. Two fillet weldings each with $a = 4$ mm, length $\varnothing 45$ mm. We recommend: welding connection black / white with additional material 1.4370 or comparable.

Never apply welding connections to prestressing and GEWI-steel!

Placement in concrete element:



The WEB 0 - sleeve shall only be moulded-in up to **max. 1 mm** below the visible surface of the concrete element, otherwise a correct assembling of the earthing connector is not possible.

For fastening and fixing at control desks, **WEITKOWITZ** adhesive stickers $\varnothing 50$ mm, **item no. 76544** can be used. For fastening and fixing at walls or control panels a screw M16 is needed.

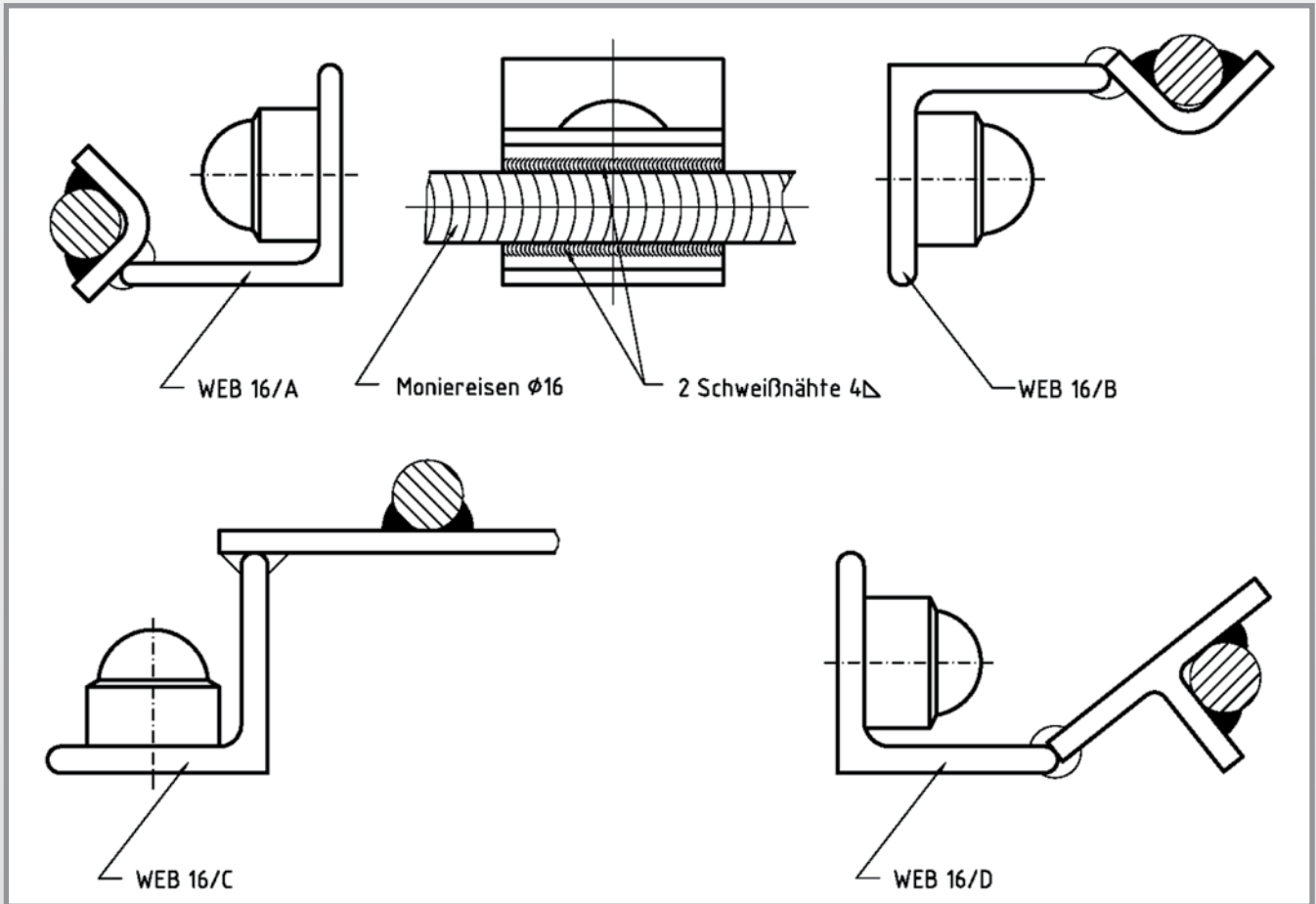
The thread M16 and the contact area of the sleeve must be free of any kind of dirt and fouling!

It is possible to protect the thread during transport till its assembling with **WEITKOWITZ** PVC plug, **item no. 71489**.

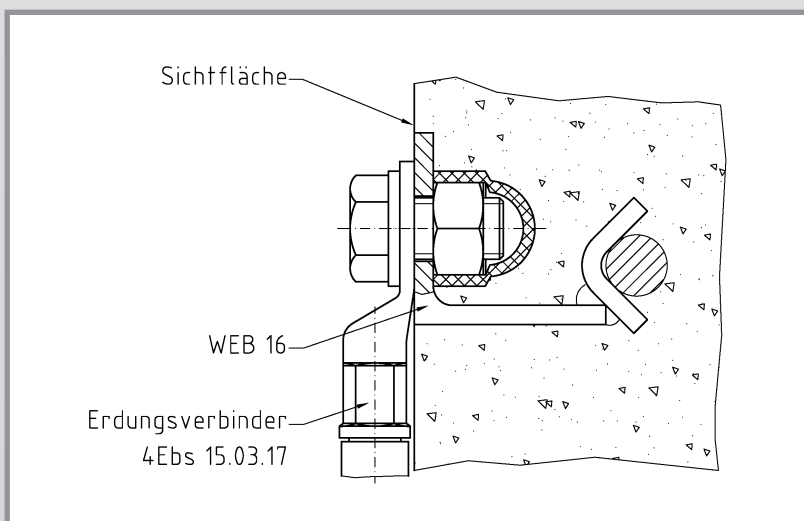
Tightening torque in Nm for steel bolts with copper cable lugs:

thread	strength class 70 „Standard A2-70, A4 70“		minimum breaking torque (B_{min}) in Nm for strength class 70
	preload force in N	tightening torque in Nm	
M 10	16.300	21	65
M 12	24.200	56	110
M 16	45.000	135	290

Processing instruction WEITKOWITZ connection sleeve WEB 16
item no. 71328 and variants



Welding connection via electrode-hand- or MAG-welding. Two fillet weldings each with $a = 4 \text{ mm}$, length $\varnothing 45 \text{ mm}$.
Welding of concrete reinforcement steel according to DIN 4099
Never apply welding connections to prestressing and GEWI-steel!

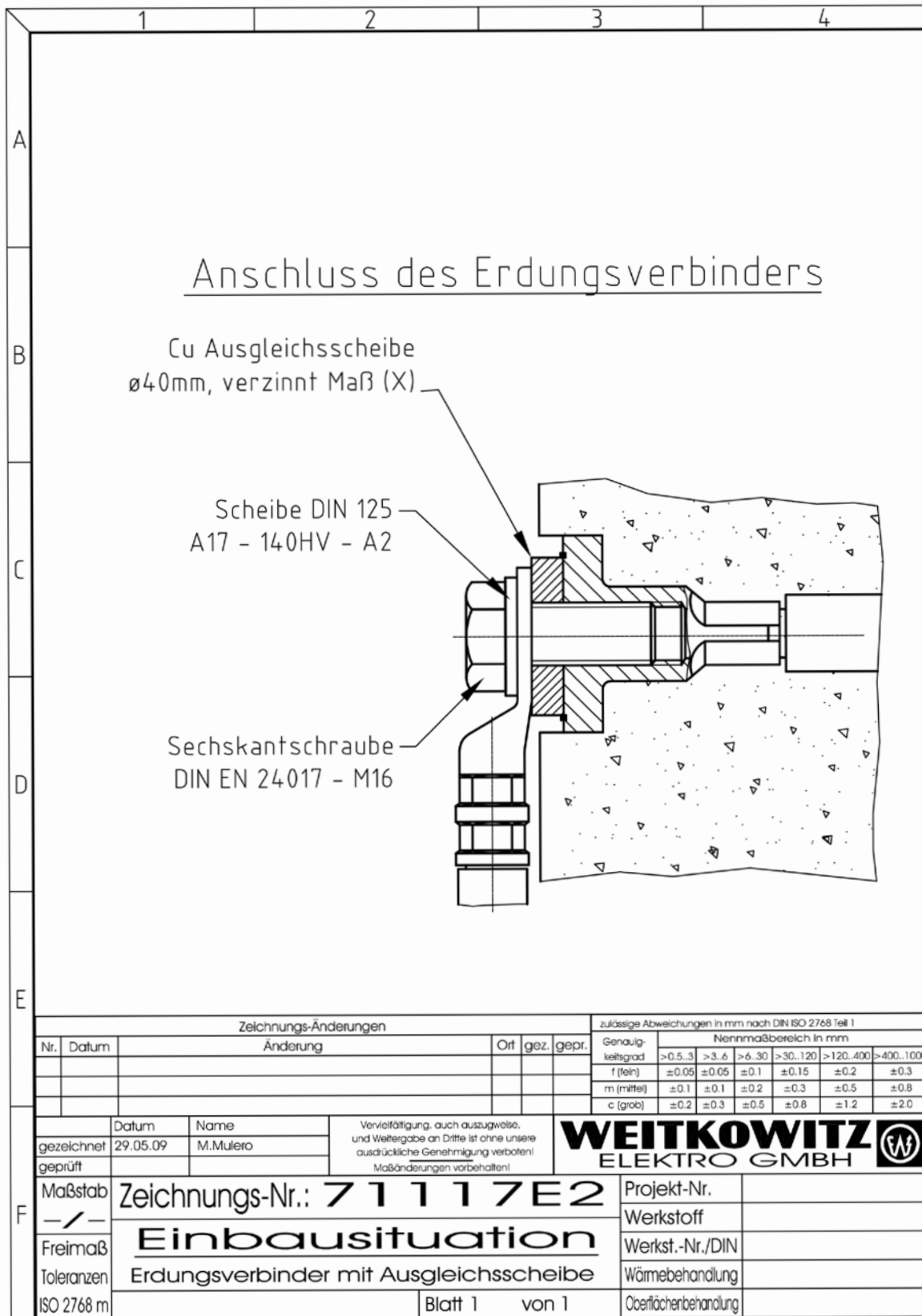


The WEB 16 angle shall only be moulded-in up to **max. 1 mm** below the visible surface of the concrete element, otherwise a correct assembling of the earthing connector is not possible.

For fastening and fixing at control desks **WEITKOWITZ** adhesive stickers 50 x 50, **item no. 77137** can be used. For fastening and fixing at walls or control panels a screw M16 is needed. The thread M16 and the contact area of the sleeve must be free of any kind of dirt and fouling.

It is possible to protect the thread during transport till its assembling with **WEITKOWITZ** adhesive stickers.

Installation reference for balance washers



DB- and ÖBB-approvals





Deutsche Bahn Gruppe

Zentrale
Theodor-Heuss-Allee 7
60486 Frankfurt am Main


GEL Ffm
GEL 2 Mü
NTE 2 Ffm
Fa. Weitkowitz Elektro GmbH

Abdruck: EBA, Referat 22

Technische Freigabe

1. Die vorliegende technische Freigabe gilt für den Hersteller
Weitkowitz Elektro GmbH
Woltorfer Straße 125
31224 Peine
2. Die technische Freigabe gilt für die Lieferung folgender Geräte an die DB AG:
Erdungsbrücken WEB 0, WEB 1, WEB 2, WEB 3, WEB 5, WEB 6 und WEB 7
3. Folgende Dokumentationen, Prüfzertifikate u. a. wurden geprüft und liegen der technischen Freigabe zugrunde:
 - **EBA Zulassung für elektrotechnische Anlagen Nr.: BLN 227391/0**
 - **Untersuchung des Kurzschlussverhaltens, Prüfbericht: 001099 des Forschungs- und Technologie-Zentrums AST Dessau**
 - **Verdrehnachweis der Firma Weitkowitz für die Erdungsbrücke WEB 6 vom 30.08.2000**
 - **Auszugversuch der Firma Weitkowitz für die Erdungsbrücken WEB 2 und WEB 6 vom 30.08.2000**
 - **Zeichnungen 3 Ebs 15.03.19 Bl.8, Bl.9 und Bl.10 der Erdungsbrücken**
4. Zusätzliche Bedingung:
5. Die vorliegende technische Freigabe gilt bis auf Widerruf.

Frankfurt am Main, den 02.10.2000


.....
(Dipl.-Ing. Borgwardt)

Deutsche Bahn 

DB Systemtechnik
Oberleitungen
Theodor-Heuss-Allee 7
60486 Frankfurt am Main

Abdruck:
EBA, Referat 22

TEL Ffm
TEL 2 Mü
TZF 73 Ffm
Weitkowitz Elektro GmbH

Technische Freigabe
zur Anwendung in elektrotechnischen Anlagen

1. Die vorliegende technische Freigabe gilt für den Hersteller

Weitkowitz Elektro GmbH

**Woltorfer Straße 125
31224 Peine**

2. Die technische Freigabe gilt für die Lieferung folgender Bauteile an die DB AG:

**Erdungsbrücken
WEB 8, WEB 9, WEB 10, WEB 11, WEB 12, WEB 13 und WEB 14**

3. Folgende Dokumentationen, Prüfzertifikate u. a. wurden geprüft und liegen der technischen Freigabe zugrunde:

- **EBA-Bescheid Nr. 224.52 Shz 3018465 vom 04.06.2002**
- **Technische Freigabe der Erdungsbrücken WEB 0, WEB 1, WEB 2, WEB 3, WEB 5, WEB 6 und WEB 7 vom 02.10.2000**
- **Dokumentation zu der Herstellung der Erdungsbuchsen WEB 8, 9, 10, 13, Schreiben der Firma Weitkowitz vom 20.09.2002**
- **Zeichnungen 3 Ebs 15.03.19 BI.9 und 3 Ebs 15.03.19 BI.12**

4. Zusätzliche Bedingung:

5. Die vorliegende technische Freigabe gilt bis auf Widerruf

Frankfurt am Main, den 30.09.2002



(TZF 73, Berthold)

Deutsche Bahn AG
Technik / Beschaffung
DB Systemtechnik
Stromabnehmer und Oberleitungsanlagen
Kleyerstraße 90
60326 Frankfurt am Main

T.TT Ffm
T.TT-S1 Mü
T.TZF 72 Ffm
Antragsteller: Weitkowitz Elektro GmbH

Abdruck:
EBA, Referat 22

Technische Freigabe
zur Anwendung in elektrotechnischen Anlagen

1. Die vorliegende technische Freigabe gilt für den Hersteller

Weitkowitz Elektro GmbH

Woltorfer Straße 125
31224 Peine

2. Die technische Freigabe gilt für die Lieferung folgender Bauteile an die DB AG:

Erdungsbrücke WEB 16


3. Folgende Dokumentationen, Prüfzertifikate u. a. wurden geprüft und liegen der technischen Freigabe zugrunde:

- **Bescheid des Eisenbahn-Bundesamtes 224.52 Se WEB (248/04) – 3114057/0/4 vom 13.01.2005**
- **Prüfbericht zum Kurzschlussverhalten Nr. 2004.0925.4.377 vom IPH-Berlin**
- **Zeichnung 4 Ebs 15.03.19 Bl. 23**

4. Zusätzliche Bedingung:

5. Die vorliegende technische Freigabe gilt bis auf Widerruf

Frankfurt am Main, den 02.02.2005


.....
(T.TZF 72, Berthold)

Technical release tubular butt connector

Die Bahn 

DB Netz AG /
DB Systemtechnik

Technische Mitteilung - als Handlungsanweisung gemäß Konzernrichtlinie 138.0202 - zur Richtlinie 997.02 EM TF 005 / 2003	
von Ansprechpartner Tel.: / Fax: E – Mail: Datum / Zeichen	DB Netz AG, Produktmanagement Technik Theodor-Heuss-Allee 7, 60486 Frankfurt NST, Rügner Arcor: 955 - 31681 / -31608; Telekom: 069 - 265 31681 / -31608 Gerhard.Rügner@bahn.de 15.04.2003 - NST. Rü - Ebst
fachliche Zuständigkeit Ansprechpartner Tel.: / Fax: E – Mail: Datum / Zeichen	DB Systemtechnik - TZF 73 Kleyerstraße 90, 60326 Frankfurt TZF 73, Resch Arcor: 955 - 45237 / -45232; Telekom: 069 - 265 45237 / -45232 Uwe.Resch@bahn.de 27.03.2003 - TZF 73. Re Ebst P2M6D3.

- Allgemeingültige Technische Mitteilung
u. a. Bekanntgabe zu Gesetzen, Verordnungen, Bahnnormen oder Richtlinien
sowie Anwendererklärungen / Freigaben, Weisungen
- Einzelfallbezogene Technische Mitteilung
u. a. Unternehmensinterne Genehmigungen (UiG), einzelfallbezogene Weisungen

**Elektrotechnische Anlagen für Bahnstrom;
Technische Freigabe
Stoßverbinder 50 mm² der Firma Weitkowitz**

Sehr geehrte Damen und Herren,

auf der Grundlage der fachtechnischen Stellungnahme der DB Systemtechnik,
OE TZF 73, erteilen wir für den Stoßverbinder 50 mm² der Firma Weitkowitz die Techni-
sche Freigabe **EM TF 005/2003**.

Mit freundlichen Grüßen

ppa. 
Huesmann

i.A. 
Rügner

P2M6D3

Die Bahn 

DB Systemtechnik
Stromabnehmer und Oberleitungsanlagen
Kleyerstraße 90
60326 Frankfurt am Main

T.TEL Ffm
T.TEL-S-OI Mü
T.TZF 72 Ffm
Antragsteller: Weitkowitz Elektro GmbH

Abdruck:
EBA, Referat 22

Technische Freigabe
zur Anwendung in elektrotechnischen Anlagen

1. Die vorliegende technische Freigabe gilt für den Hersteller

Weitkowitz Elektro GmbH

**Woltorfer Straße 125
31224 Peine**

2. Die technische Freigabe gilt für die Lieferung folgender Bauteile an die DB AG:

T-Verbinder K14 auf K14 und Abgang K14 für Kabel NYY-O, 50mm²

T-Verbinder K16 auf K16 und Abgang K16 für Kabel NYY-O, 70mm²

3. Folgende Dokumentationen, Prüfzertifikate u. a. wurden geprüft und liegen der technischen Freigabe zugrunde:

- Darstellung der T-Verbinder in den Zeichnungen Nr. 76988 und 76989 der Firma Weitkowitz
- Pressverbindung (Pressbreite und Anzahl) für Rohrkabelschuhe gem. DIN 46235
- Zugversuche mit T-Verbindern 1.1-1.3(Q2047) und 2.1-2.3(Q2047) vom 19.05.2004 der Firma Weitkowitz
- Zeichnungen 3 Ebs 15.01.46, 4 Ebs 15.03.35

4. Zusätzliche Bedingung:

5. Die vorliegende technische Freigabe gilt bis auf Widerruf

Frankfurt am Main, den 03.12.2004



(T.TZF 72, Berthold)



DB Netz AG /
DB Systemtechnik

<p>Technische Mitteilung - als Handlungsanweisung gemäß Konzernrichtlinie 138.0202 - zum Regelwerk 997.02xx</p> <p>EM (Eb) TF 006 / 2004</p>	
<p>von Ansprechpartner Tel.: ; Fax: E – Mail:</p>	<p>DB Netz AG, Produktmanagement Technik Theodor-Heuss-Allee 7, 60486 Frankfurt N.VT(E) Gerhard Rügner intern: 955 - 31681 / -31608; extern: 069 265 - 31681 / -31608 Gerhard.Ruegner@bahn.de</p>
<p>Datum / Zeichen</p>	<p>22.07.2004 / N.VT(E). Rü - Ebst (P0 M3 D10)</p>
<p>fachliche Zuständigkeit Ansprechpartner Tel.: ; Fax: E – Mail:</p>	<p>DB Systemtechnik – T.TZF 72 Kleyerstraße 90, 60326 Frankfurt am Main T.TZF 72 Herr Resch intern: 955 - 45237 / -45232; extern: 069 265 - 45237 / -45232 Uwe.Resch@bahn.de</p>
<p>Datum / Zeichen</p>	<p>16.07.2004 - T.TZF 72 Re - Ebst (P0 M3 D9).</p>

- Allgemeingültige Technische Mitteilung**
u. a. Bekanntgabe zu Gesetzen, Verordnungen, Bahnnormen oder Richtlinien
sowie Anwendererklärungen / Freigaben, Weisungen
- Einzelfallbezogene Technische Mitteilung**
u. a. Unternehmensinterne Genehmigungen (UiG), einzelfallbezogene Weisungen

**Elektrotechnische Anlagen für Bahnstrom;
Technische Freigabe neuer Erdungsbrücken der Firma Weitkowitz**

Sehr geehrte Damen und Herren,

mit Schreiben vom 09.06.2004 – He/Wr – beantragten Sie die Technische Freigabe Ihrer neuen Erdungsbrücken WEB 1, WEB 6-14 mit flexiblem Kabel H07V-K. Auf der Grundlage der fachtechnischen Stellungnahme der DB Systemtechnik, OE T.TZF 72 erteilen wir für diese Erdungsbrücken die Technische Freigabe unter dem Zeichen EM (Eb) TF 006/2004. Die Technische Freigabe gilt bis auf Widerruf.

Mit freundlichen Grüßen

mpa [Signature] *i.F. Rügner*

P0 M3 D10



DB Netz AG
ZENTRALE

Allgemeingültige Technische Mitteilung	
- Als Handlungsanweisung gemäß Konzernrichtlinie 138.0202 -	
TM 2012-013 I.NVT 4	
Sachlich zugehörige Ril:	997
Ersatz für TM :	
Hinterlegt in der Datenbank: Techn. Mitteilungen DB Netz	Server BLNSLR4012/DB AG/DE Dateiname: ba412a\diskussion\technmittedbnetz.nsf

TM-Titel / Handlungsbedarf:

TM 2012-013 I.NVT 4 zu Ril 997.0102
Technische Freigabe "Aluminiumkabelschuhe für Erdungs-
verbinder (Aluminiumleiter)" nach Ebs 15.03.22-2
der Fa. Weitkowitz GmbH

Gültig ab :	01.04.2012		
Umsetzungsfrist bis :			
Rückmeldung bis :		An:	

Diese TM umfasst die Seiten 1 bis 2 (ohne Anlagen).

Mitzeichnung:		Fachlinie:	
I.NPI	<input type="checkbox"/>	LST	<input type="checkbox"/>
I.NPP	<input type="checkbox"/>	Tk	<input type="checkbox"/>
I.NPE	<input type="checkbox"/>	EA	<input checked="" type="checkbox"/>
I.NVE 3(A)	<input type="checkbox"/>	Oberbau	<input type="checkbox"/>
	<input type="checkbox"/>	KIB	<input type="checkbox"/>
	<input type="checkbox"/>	Betrieb	<input type="checkbox"/>
	<input type="checkbox"/>		<input type="checkbox"/>

Freigabe:

16.3.12  14.3.12 
Datum Unterschrift Datum Unterschrift

Jens Hartmann, I.NVT 4
Name, OE in Klarschrift

Uwe Resch, I.NVT 43(O)
Name, OE in Klarschrift

gez. Jens Hartmann, I.NVT 4

gez. Uwe Resch, I.NVT 43(O)

Technical release earthing rope for railway wagons



Deutsche Bahn AG

Deutsche Bahn AG • Wesergrabs 2 • 32423 Minden

www.db.de

VEE 23 München
VTZ 241 München
Firma Weitkowitz Elektro GmbH

Andreas Klostermann
Telefon 0571 393 5594
Telefax 0571 393 5623
andreas.klostermann@bahn.de
Zeichen VEF 71

Technische Freigabe

1. Die vorliegende technische Freigabe gilt für den Hersteller

Weitkowitz Elektro GmbH
Woltorfer Straße 125
31224 Peine

und kann erteilt werden, weil alle Anforderungen des technischen Lastenhefts - Stahlerdungsseile - erfüllt werden.

2. Die technische Freigabe gilt für die Lieferung folgender Bauteile an die DB AG

Erdungsseil für Güterwagen gemäß DB Zeichnung 4 Fwg 000.0.76.068.001

3. Folgende Dokumentationen liegen der technischen Freigabe zugrunde:

- Dokumentation des Herstellungsverfahrens (Schreiben der Firma Weitkowitz vom 12.07.2008)
- Testbericht von den Auszugsversuchen gemäß DIN EN 61238-1 (VDE 0220)
- Zeichnung der DB AG Nr.: 4 Fwg 000.0.76.068.001
- Technisches Lastenheft - Stahlerdungsseile - (Schreiben DB AG, TFT 71 vom 07.02.2006)

4. Die vorliegende technische Freigabe gilt bis auf Widerruf.

Minden, 14.07.2008

i. V. 
VEF 71 Bunczeck

Deutsche Bahn AG
Sitz Berlin
Registergericht
Berlin-Charlottenburg
HRB 50 000
USt-IdNr.: DE 811569869

Vorsitzender des
Aufsichtsrates:
Dr. Werner Müller
Vorstand:
Hartmut Mehdorn,
Vorsitzender

Dr. Norbert Bensele
Stefan Garber
Dr. Karl-Friedrich Rausch

Diethelm Sack
Margret Suckale
Dr. Otto Wiesheu

Eisenbahn-Bundesamt
Zentrale Bonn, Büro Berlin



224.52 Shz 3018465 – Herr Stauch

Berlin,

04. Juni 2002

Kennblatt Nr. 3018465 zum Bescheid für eine

Zusicherung Typzulassung als Sicherheitsbauform

Bescheid Nr.: 224.52 Shz 3018465 gleichen Datums	Antrag vom: 22.05.2002	
Antragsteller: Fa. WEITKOWITZ ELEKTRO GMBH	Hersteller: Fa. WEITKOWITZ ELEKTRO GMBH	
Anwender: EdB	Gültig bis: unbefristet	
Objekt(e) des Bescheides	Hersteller-Sachnummer	Zustand/Ausgabe
Anschlussbuchse für Kabel 70 mm ² NYYO	71113	17.05.2002
Winkelanschluss für Moniereisen mit Kabel 70 mm ² NYYO	71114	17.05.2002
Cu-Kabel 70 mm ² mit Anschweißlasche	71117	21.05.2002
Cu-Kabel 95 mm ² mit Anschweißlasche	71118	21.05.2002
Prüfbericht/Gutachten liegt vor:		
<input type="checkbox"/> Ja	<input type="checkbox"/> Nein	<input checked="" type="checkbox"/> Entfällt
Grundlage der Prüfung/Begutachtung:		
<input type="checkbox"/> Mü8004	<input type="checkbox"/> EN	<input checked="" type="checkbox"/> DB AG-Richtlinie 997.02

Bemerkungen/Hinweise (Verwendungszweck, Ersatz für usw.): Erweiterung der Zulassung BLN227391/0 vom 10.08.2000

Abdruck an: EBA Zentrale: Planei Berlin 2257, Registratur München 2275
EBA-Sb 3, alle Standorte
DB AG, TZF 73

Im Auftrag

Stauch
Unterschrift



Approvals EBA

Eisenbahn-Bundesamt

Zentrale - Büro Berlin -
224.52 Shz 95/00 - Herr Stauch



Zulassung für elektrotechnische Anlagen

Zulassungs-Nr. BLN227391/0 Antrag vom 26.05.00
 Hersteller: WEITKOWITZ Elektro GmbH Antragsteller: WEITKOWITZ Elektro GmbH
 Anwender: Eisenbahnen des Bundes

Nachstehend aufgeführte elektrotechnische Anlagen werden zugelassen:

Bezeichnung	Hersteller-Sachnummer	Zustand / Ausgabe
Anschlussbuchse Ø50 für Moniereisen	71100	25.05.2000
Anschlussbuchse für Kabel 95mm ² NYYO	71101	25.05.2000
Anschlussbuchse für Moniereisen	71102	25.05.2000
Winkelanschluss für Moniereisen mit Kabel 95mm ² NYYO	71104	25.05.2000
Anschlussbuchse Ø50 für Moniereisen	71105	25.05.2000

Besondere Auflagen ja nein

Bemerkungen (Verwendungszweck, Ersatz für usw.):

Erdung der Bewehrung von Betonbauwerken

Abdruck an: Registratur EBA (2257, 2275)
EBA-Außenstellen, Sb 3
DB Netz AG, NEE

Berlin,
Im Auftrag


.....
Unterschrift





Infrastruktur Bau

Bau AG, Engineering Services, 1020 Wien, Praterstern 3-4

Firma
WEITKOWITZ ELEKTRO GMBH
Z. Hd. Herrn Volker Hennies
Woltorfer Straße 125
D-31224 Peine

Engineering Services
Systeme, Produkte
Tel. +43 1 93000-34829
Fax +43 1 93000-25216
klaus.leithner@oebb.at
Zl.: ES-SP-60-01-2007

Abteilung/Niederlassung
ES-SP/Klaus Leithner

Datum
27.02.2007

Technische Freigabe Erdungsverbinding Weitkowitz

Sehr geehrte Damen und Herren,

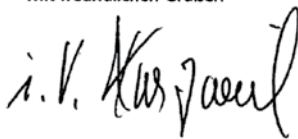
bezugnehmend auf Ihr Email vom 21.2.2007 geben wir den Erdungsverbinder Cu 50mm² technisch frei. Grundlage der Beurteilung bildet die beiliegende Zeichnung mit der Nr. 77401 vom 20.02.2007.

Dieses Schreiben und die Zeichnung mit der Nr. 77401 vom 20.02.2007 sind die technischen Freigabedokumente und sind gegebenenfalls immer gemeinsam vorzuweisen.

Änderungen des technisch freigegebenen Erdungsverbinders Cu 50mm² sind nur mit Zustimmung der zuständigen Stelle der Österreichischen Bundesbahnen zulässig.

Diese technische Freigabe gilt bis auf Widerruf.

Mit freundlichen Grüßen



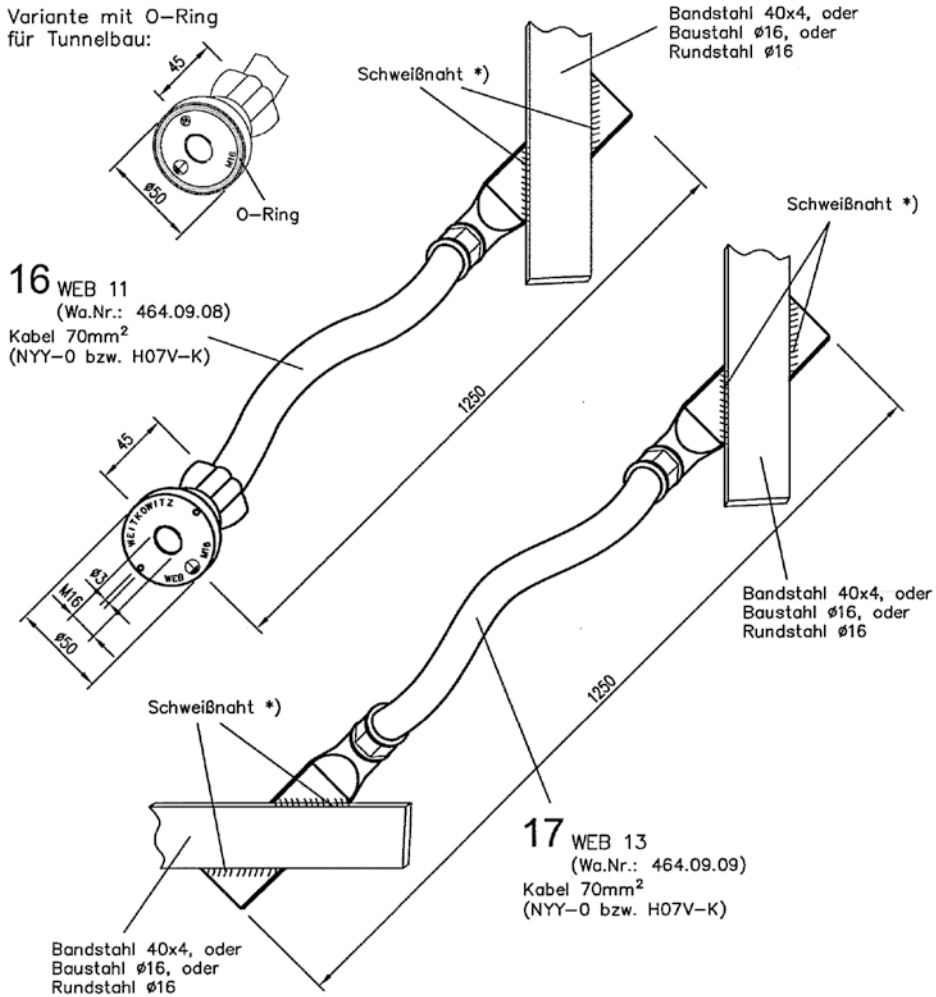
Ing. KURZWEIL

Beilage(n) Weitkowitz Zeichnung mit der Nr. 77401 vom 20.02.2007

60-01-07-Technische Freigabe Erdungsverbinding Weitkowitz.doc

ÖBB-Infrastruktur Bau Aktiengesellschaft, FN 71396 w, HG Wien, DVR 0063533, UID ATU 16210507,
ÖVK, BLZ 18190, KtoNr. 10000025003, IBAN AT941819010000025003, BIC OVERATWW
BAWAG-PSK, BLZ 60000, KtoNr. 7040.836, IBAN AT686000000007040836, BIC OPSKATWW

Ausführung H und I: Erdungsbrücke WEB 11 und WEB 13
Bauart Weitkowitz



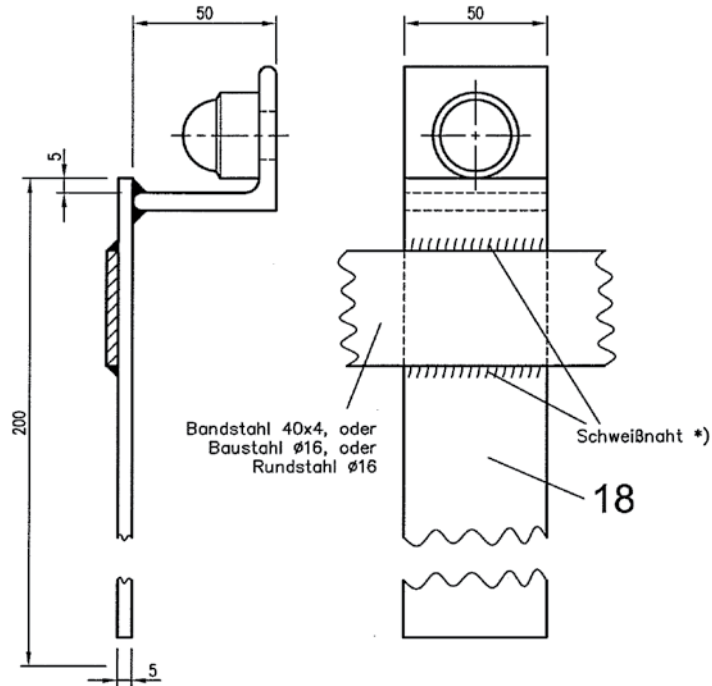
*) Kehlnaht 4mm, Schweißnahtlänge mind. 100mm (z.B. 2x50mm).
Der Schweißer muss ein gültiges Schweißzeugnis gemäß ON EN 287 für die entsprechenden Werkstoffe, Schweißverfahren und Schweißpositionen vorweisen.
Hat der Schweißbetrieb eine Qualifikation gem. ON M 7812-2 für die Güteklasse 3, kann die Schweißnahtlänge auf mind. 80mm (z.B. 2x40mm) reduziert werden.

x									Erdungsbrücke WEB 13	17		Cu-ETP	0,00	1
x									Erdungsbrücke WEB 11	16		Cu-ETP	0,00	1
H	I	J	K	L	M	N	O		Benennung	Teil	Zeichnung Norm	Werkstoff Anmerkung	Gewicht kg	Stk.
Ausführung														

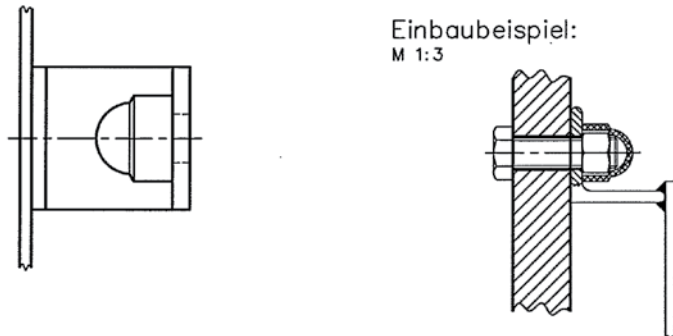
Änderung: Ersatz für ED 6409 Blatt 8 Ausgabe 13.07.2006

Dienststelle ES-SP <i>Kurzweil</i>	Infrastruktur	ÖBB		
Planinhalt Erdanschluss für Stahlbetonbauwerke	Maßstab 1:3	Plan-Nr. ED 6409	Blatt 8	
Warennummer 464.09...	gezeichnet Geist	Ausgabe/Datum 30.01.2012		
	geprüft Kurzweil/Pfandor			

Ausführung J: Erdungsanschluss WEB 16 Bauart Weitkowitz mit angeschweißtem Flachstahl



Einbaubeispiel:
M 1:3



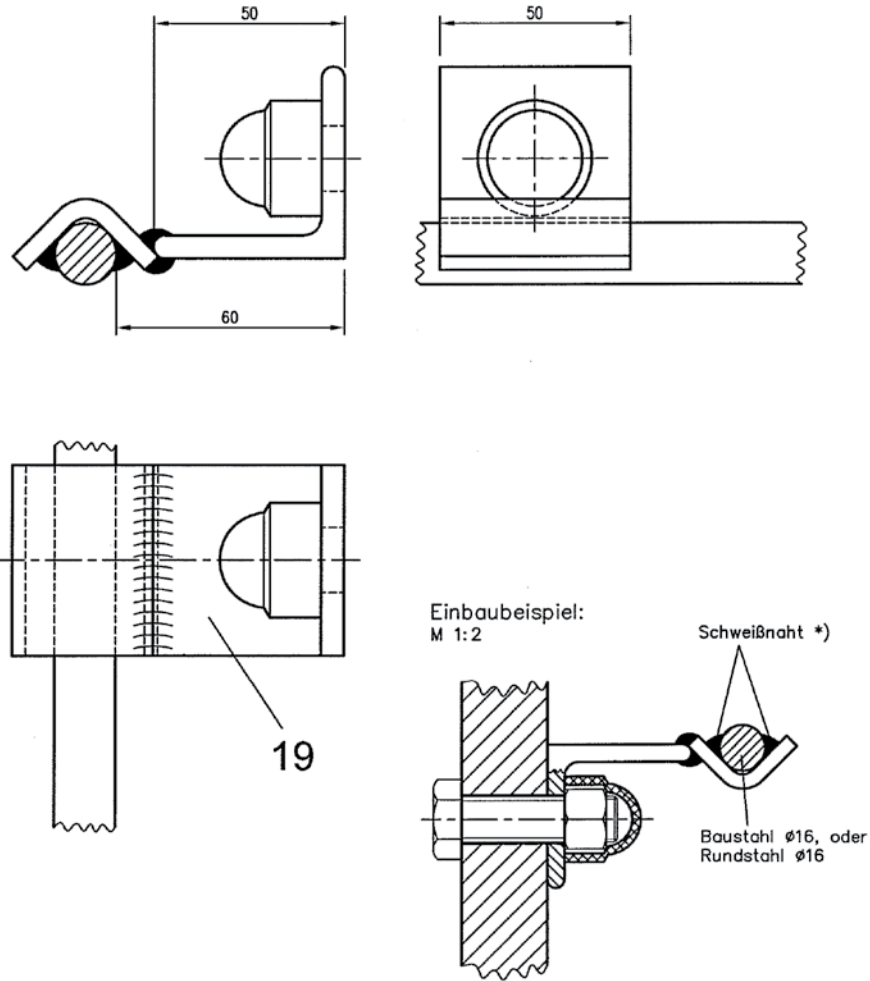
*) Kehlnaht 4mm, Schweißnahtlänge mind. 100mm (z.B. 2x50mm).
Der Schweißer muss ein gültiges Schweißzeugnis gemäß ON EN 287 für die entsprechenden Werkstoffe, Schweißverfahren und Schweißpositionen vorweisen.
Hat der Schweißbetrieb eine Qualifikation gem. ON M 7812-2 für die Güteklasse 3, kann die Schweißnahtlänge auf mind. 80mm (z.B. 2x40mm) reduziert werden.

x						Erdungsbrücke WEB 16	18		V2A/St	0,00	1		
I	J	K	L	M	N	O	P	Benennung	Teil	Zeichnung Norm	Werkstoff Anmerkung	Gewicht kg	Stk.

Änderung: Ersatz für ED 6409 Blatt 9 Ausgabe 30.07.2007

Dienststelle ES-SP <i>Kurzweil</i>	Infrastruktur		
Planinhalt Erdanschluss für Stahlbetonbauwerke	Maßstab 1:2	Plan-Nr. ED 6409	Blatt 9
Warennummer 464.09.10	Ausgabe/Datum 30.01.2012		
	gezeichnet Geist		
	geprüft Kurzweil/Plandor		

Ausführung K: Erdungsanschluss WEB 16 Bauart Weitkowitz
mit 90° gedrehtem Anschweißwinkel



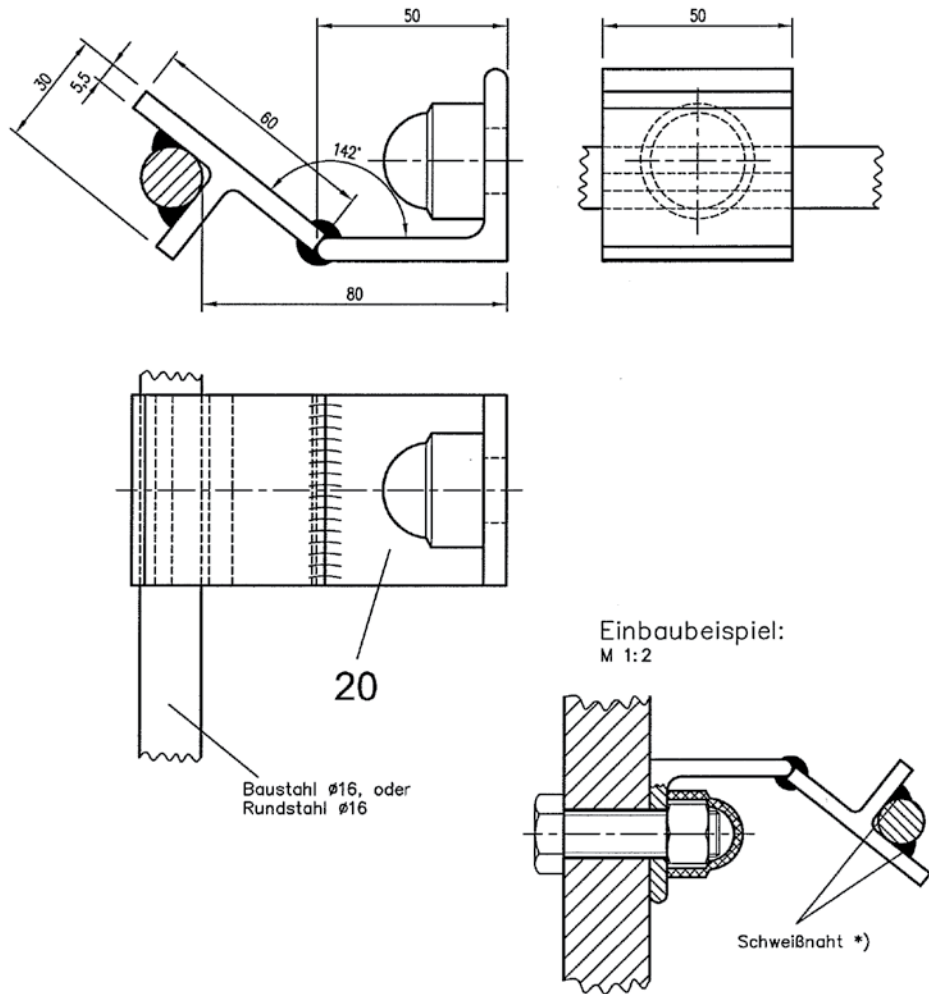
*) Kehlnaht 4mm, Schweißnahtlänge mind. 100mm (z.B. 2x50mm).
Der Schweißer muss ein gültiges Schweißzeugnis gemäß ON EN 287 für die entsprechenden Werkstoffe, Schweißverfahren und Schweißpositionen vorweisen.
Hat der Schweißbetrieb eine Qualifikation gem. ON M 7812-2 für die Güteklasse 3, kann die Schweißnahtlänge auf mind. 80mm (z.B. 2x40mm) reduziert werden.

x							Erdungsbrücke WEB 16	19	V2A/St	0,00	1
I	J	K	L	M	N	O	Benennung	Teil	Zeichnung Norm	Werkstoff Anmerkung	Gewicht Stk. kg

Änderung: Ersatz für ED 6409 Blatt 10 Ausgabe 30.07.2007

Dienststelle ES-SP <i>Kurzweil</i>	Infrastruktur	ÖBB
Planinhalt Erdanschluss für Stahlbetonbauwerke	Maßstab 1:1,5	Plan-Nr. ED 6409 Blatt 10
Warennummer 464.09.12	gezeichnet Geist	Ausgabe/Datum 30.01.2012
	geprüft Kurzweil/Plandor	

Ausführung L: Erdungsanschluss WEB 16 Bauart Weitkowitz
mit angeschweißtem T-Profil



*) Kehlnaht 4mm, Schweißnahtlänge mind. 100mm (z.B. 2x50mm).
Der Schweißer muss ein gültiges Schweißzeugnis gemäß ON EN 287 für die entsprechenden Werkstoffe, Schweißverfahren und Schweißpositionen vorweisen.
Hat der Schweißbetrieb eine Qualifikation gem. ON M 7812-2 für die Güteklasse 3, kann die Schweißnahtlänge auf mind. 80mm (z.B. 2x40mm) reduziert werden.

x						Erdungsbrücke WEB 16	20		V2A/St	0,00	1
	J	K	L	M	N	Benennung	Teil	Zeichnung Norm	Werkstoff Anmerkung	Gewicht kg	Stk.
Ausführung											

Änderung: Ersatz für ED 6409 Blatt 11 Ausgabe 30.07.2007

Dienststelle ES-SP <i>Kurzweil</i>	Infrastruktur	ÖBB	
Planinhalt Erdanschluss für Stahlbetonbauwerke	Maßstab 1:1,5	Plan-Nr. ED 6409	Blatt 11
Warennummer 464.09.13	Ausgabe/Datum 14.02.2012		
	gezeichnet Geist		
	geprüft Kurzweil/Plandor		



Certifications



All certificates are ready for download on our website www.weitkowitz.de.

Innovativ earthing technology with DB- und ÖBB approvals



press technique earthing



earthing terminals at base elements



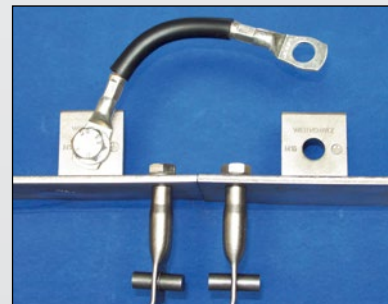
earthing terminals WEB 1 and WEB 12



WEB 19 with distance socket



WEB 12 with flat bar underground construction



V4A 1.4571 stop rail



earthing terminals with CuStAl 70 mm², steel rope 95 mm² resp. AlMgSt



WEB 12 with O-type ring at a tunnel wall



WEB 0 and cable lug after saltspray test



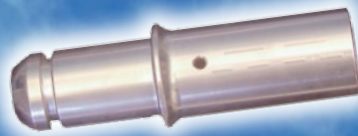
construction vehicle earthing



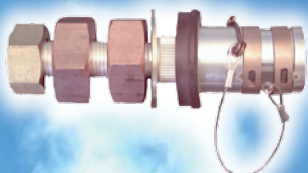
high flexible cable connection



screwed track connector 4 Ebs 15.13.51



– from batch production up to large production –
You make the demands ...
... **We** deliver fast and favourably!



Allgemeine Verkaufsbedingungen – unternehmerischer Geschäftsverkehr

§ 1 Allgemeines, Geltungsbereich

- (1) Die vorliegenden Allgemeinen Verkaufsbedingungen (AVB) gelten für alle unsere Geschäftsbeziehungen mit unseren Kunden (nachfolgend: „Käufer“). Die AVB gelten nur, wenn der Käufer Unternehmer (§ 14 BGB), eine juristische Person des öffentlichen Rechts oder ein öffentlich-rechtliches Sondervermögen ist.
- (2) Die AVB gelten insbesondere für Verträge über den Verkauf und/oder die Lieferung beweglicher Sachen (im Folgenden auch: „Ware“), ohne Rücksicht darauf, ob wir die Ware selbst herstellen oder bei Zulieferern einkaufen (§§ 433, 651 BGB). Die AVB gelten in ihrer jeweiligen Fassung als Rahmenvereinbarung auch für künftige Verträge über den Verkauf und/oder die Lieferung beweglicher Sachen mit demselben Käufer, ohne dass wir in jedem Einzelfall wieder auf sie hinweisen müssten; über Änderungen unserer AVB werden wir den Käufer in diesem Fall unverzüglich informieren.
- (3) Unsere AVB gelten ausschließlich. Abweichende, entgegenstehende oder ergänzende Allgemeine Geschäftsbedingungen des Käufers werden nur dann und insoweit Vertragsbestandteil, als wir ihrer Geltung ausdrücklich zugestimmt haben. Dieses Zustimmungserfordernis gilt in jedem Fall, beispielsweise auch dann, wenn wir in Kenntnis der AGB des Käufers die Lieferung an ihn vorbehaltlos ausführen.
- (4) Im Einzelfall getroffene, individuelle Vereinbarungen mit dem Käufer einschließlich Nebenabreden, Ergänzungen und Änderungen) haben in jedem Fall Vorrang vor diesen AVB. Für den Inhalt derartiger Vereinbarungen ist ein schriftlicher Vertrag bzw. unsere schriftliche Bestätigung maßgebend.
- (5) Rechtserhebliche Erklärungen und Anzeigen, die nach Vertragsschluss vom Käufer uns gegenüber abzugeben sind (z. B. Fristsetzungen, Mängelanzeigen, Erklärung von Rücktritt oder Minderung), bedürfen zu ihrer Wirksamkeit der Schriftform.
- (6) Hinweise auf die Geltung gesetzlicher Vorschriften haben nur klarstellende Bedeutung. Auch ohne eine derartige Klarstellung gelten daher die gesetzlichen Vorschriften, soweit sie in diesen AVB nicht unmittelbar abgeändert oder ausdrücklich ausgeschlossen werden.

§ 2 Vertragsschluss

- (1) Unsere Angebote sind freibleibend und unverbindlich. Dies gilt auch, wenn wir dem Käufer Kataloge, technische Dokumentationen (z. B. Zeichnungen, Pläne, Berechnungen, Kalkulationen, Verweisungen auf DIN-Normen), sonstige Produktbeschreibungen oder Unterlagen – auch in elektronischer Form – überlassen haben.
- (2) Die Bestellung der Ware durch den Käufer gilt als verbindliches Vertragsangebot. Sofern sich aus der Bestellung nichts anderes ergibt, sind wir berechtigt, dieses Vertragsangebot innerhalb von 2 Wochen nach seinem Zugang bei uns anzunehmen.
- (3) Die Annahme kann entweder schriftlich (z. B. durch Auftragsbestätigung) oder durch Auslieferung der Ware an den Käufer erklärt werden.

§ 3 Lieferfrist und Lieferverzug

- (1) Die Lieferfrist wird individuell vereinbart bzw. von uns bei Annahme der Bestellung angegeben. Sofern dies nicht der Fall ist, beträgt die Lieferfrist ca. 4 Wochen ab Vertragsschluss.
- (2) Sofern wir verbindliche Lieferfristen aus Gründen, die wir nicht zu vertreten haben, nicht einhalten können (Nichtverfügbarkeit der Leistung), werden wir den Käufer hierüber unverzüglich informieren und gleichzeitig die voraussichtliche, neue Lieferfrist mitteilen. Ist die Leistung auch innerhalb der neuen Lieferfrist nicht verfügbar, sind wir berechtigt, ganz oder teilweise vom Vertrag zurückzutreten; eine bereits erbrachte Gegenleistung des Käufers werden wir unverzüglich erstatten. Als Fall der Nichtverfügbarkeit der Leistung in diesem Sinne gilt insbesondere die nicht rechtzeitige Selbstbelieferung durch unseren Zulieferer, wenn wir ein kongruentes Deckungsgeschäft abgeschlossen haben, weder uns noch unseren Zulieferer ein Verschulden trifft oder wir im Einzelfall zur Beschaffung nicht verpflichtet sind.
- (3) Der Eintritt unseres Lieferverzugs bestimmt sich nach den gesetzlichen Vorschriften. In jedem Fall ist aber eine Mahnung durch den Käufer erforderlich.
- (4) Die Rechte des Käufers gem. § 8 dieser AVB und unsere gesetzlichen Rechte insbesondere bei einem Ausschluss der Leistungspflicht (z. B. aufgrund Unmöglichkeit oder Unzumutbarkeit der Leistung und/oder Nacherfüllung) bleiben unberührt.

§ 4 Lieferung, Gefahrübergang, Abnahme, Annahmeverzug

- (1) Die Lieferung erfolgt ab Lager, wo auch der Erfüllungsort ist. Auf Verlangen und Kosten des Käufers wird die Ware an einen anderen Bestimmungsort versandt (Versendungskauf). Soweit nicht etwas anderes vereinbart ist, sind wir berechtigt, die Art der Versendung (insbesondere Transportunternehmen, Versandweg, Verpackung) selbst zu bestimmen. Bei Sonderanfertigungen behalten wir uns eine Überlieferung von 10 % der Auftragsmenge vor.
- (2) Die Gefahr des zufälligen Untergangs und der zufälligen Verschlechterung der Ware geht spätestens mit der Übergabe auf den Käufer über. Beim Versendungskauf geht jedoch die Gefahr des zufälligen Untergangs und der zufälligen Verschlechterung der Ware sowie die Verzögerungsgefahr bereits mit Auslieferung der Ware an den Spediteur, den Frachtführer oder der sonst zur Ausführung der Versendung bestimmten Person oder Anstalt über. Soweit eine Abnahme vereinbart ist, ist diese für den Gefahrübergang maßgebend. Auch im Übrigen gelten für eine vereinbarte Abnahme die gesetzlichen Vorschriften des Werkvertragsrechts entsprechend. Der Übergabe bzw. Abnahme steht es gleich, wenn der Käufer im Verzug der Annahme ist.
- (3) Kommt der Käufer in Annahmeverzug, unterlässt er eine Mitwirkungshandlung oder verzögert sich unsere Lieferung aus anderen, vom Käufer zu vertretenden Gründen, so sind wir berechtigt, Ersatz des hieraus entstehenden Schadens einschließlich Mehraufwendungen (z. B. Lagerkosten) zu verlangen. Hierfür berechnen wir eine pauschale Entschädigung iHv. 100 EUR pro Kalendertag, beginnend mit der Lieferfrist bzw. – mangels einer Lieferfrist – mit der Mitteilung der Versandbereitschaft der Ware. Der Nachweis eines höheren Schadens und unsere gesetzlichen Ansprüche

(insbesondere Ersatz von Mehraufwendungen, angemessene Entschädigung, Kündigung) bleiben unberührt; die Pauschale ist aber auf weitergehende Geldansprüche anzurechnen. Dem Käufer bleibt der Nachweis gestattet, dass uns überhaupt kein oder nur ein wesentlich geringerer Schaden als vorstehende Pauschale entstanden ist.

§ 5 Preise und Zahlungsbedingungen

- (1) Sofern im Einzelfall nichts anderes vereinbart ist, gelten unsere jeweils zum Zeitpunkt des Vertragsschlusses aktuellen Preise, und zwar ab Lager, zzgl. gesetzlicher Umsatzsteuer.
Den Preisen aller Kupfererzeugnissen liegt eine MK-Notierung von 128,00 EUR per 100 kg zugrunde. Der Cu-Zuschlag berechnet sich aus der Differenz zwischen dieser Preisbasis und der am Tag des Auftragsbeginns gültigen MK-Notierung. Wechsel werden nicht angenommen. Für Aufträge mit einem Nettowarenwert unter 40,00 EUR berechnen wir einen Bearbeitungskostenzuschlag von 15,00 EUR.
- (2) Beim Versendungskauf (§ 4 Abs 1) trägt der Käufer die Transport- und Verpackungskosten ab Lager und die Kosten einer ggf. vom Käufer gewünschten Transportversicherung. Sofern wir nicht die im Einzelfall tatsächlich entstandenen Transportkosten in Rechnung stellen, gilt eine Transportkostenpauschale (ausschließlich Transportversicherung) als vereinbart. Etwaige Zölle, Gebühren, Steuern und sonstige öffentliche Abgaben trägt der Käufer. Transport- und alle sonstigen Verpackungen nach Maßgabe der Verpackungsverordnung nehmen wir nicht zurück, sie werden Eigentum des Käufers; ausgenommen sind Paletten.
- (3) Der Kaufpreis ist fällig und zu zahlen innerhalb von 30 Tagen ab Rechnungsstellung und Lieferung bzw. Abnahme der Ware bzw. unter Abzug von 2 % Skonto bei Zahlung innerhalb von 10 Tagen ab Rechnungsstellung und Lieferung bzw. Abnahme der Ware. Bei Verträgen mit einem Lieferwert von mehr als 10.000 EUR sind wir jedoch berechtigt, eine Anzahlung iHv. 25 % des Kaufpreises zu verlangen. Die Anzahlung ist fällig und zu zahlen innerhalb von 14 Tagen ab Rechnungsstellung.
- (4) Mit Ablauf vorstehender Zahlungsfrist kommt der Käufer in Verzug. Der Kaufpreis ist während des Verzugs zum jeweils geltenden gesetzlichen Verzugszinssatz zu verzinsen. Wir behalten uns die Geltendmachung eines weitergehenden Verzugs Schadens vor. Gegenüber Kaufleuten bleibt unser Anspruch auf den kaufmännischen Fälligkeitszins (§ 353 HGB) unberührt.
- (5) Dem Käufer stehen Aufrechnungs- oder Zurückbehaltungsrechte nur insoweit zu, als sein Anspruch rechtskräftig festgestellt oder unbestritten ist. Bei Mängeln der Lieferung bleiben die Gegenrechte des Käufers insbesondere gem. § 7 Abs. 6 Satz 2 dieser AVB unberührt.
- (6) Wird nach Abschluss des Vertrags erkennbar, dass unser Anspruch auf den Kaufpreis durch mangelnde Leistungsfähigkeit des Käufers gefährdet wird (z. B. durch Antrag auf Eröffnung eines Insolvenzverfahrens), so sind wir nach den gesetzlichen Vorschriften zur Leistungsverweigerung und – gegebenenfalls nach Fristsetzung – zum Rücktritt vom Vertrag berechtigt (§ 321 BGB). Bei Verträgen über die Herstellung unvertretbarer Sachen (Einzelanfertigungen), können wir den Rücktritt sofort erklären; die gesetzlichen Regelungen über die Entbehrlichkeit der Fristsetzung bleiben unberührt.

§ 6 Eigentumsvorbehalt

- (1) Bis zur vollständigen Bezahlung aller unserer gegenwärtigen und künftigen Forderungen aus dem Kaufvertrag und einer laufenden Geschäftsbeziehung (gesicherte Forderungen) behalten wir uns das Eigentum an den verkauften Waren vor.
- (2) Die unter Eigentumsvorbehalt stehenden Waren dürfen vor vollständiger Bezahlung der gesicherten Forderungen weder an Dritte verpfändet, noch zur Sicherheit übereignet werden. Der Käufer hat uns unverzüglich schriftlich zu benachrichtigen, wenn und soweit Zugriffe Dritter auf die uns gehörenden Waren erfolgen.
- (3) Bei vertragswidrigem Verhalten des Käufers, insbesondere bei Nichtzahlung des fälligen Kaufpreises, sind wir berechtigt, nach den gesetzlichen Vorschriften vom Vertrag zurückzutreten und die Ware auf Grund des Eigentumsvorbehalts und des Rücktritts herauszuverlangen. Zahlt der Käufer den fälligen Kaufpreis nicht, dürfen wir diese Rechte nur geltend machen, wenn wir dem Käufer zuvor erfolglos eine angemessene Frist zur Zahlung gesetzt haben oder eine derartige Fristsetzung nach den gesetzlichen Vorschriften entbehrlich ist.
- (4) Der Käufer ist befugt, die unter Eigentumsvorbehalt stehenden Waren im ordnungsgemäßen Geschäftsgang weiter zu veräußern und/oder zu verarbeiten. In diesem Fall gelten ergänzend die nachfolgenden Bestimmungen.
 - (a) Der Eigentumsvorbehalt erstreckt sich auf die durch Verarbeitung, Vermischung oder Verbindung unserer Waren entstehenden Erzeugnisse zu deren vollem Wert, wobei wir als Hersteller gelten. Bleibt bei einer Verarbeitung, Vermischung oder Verbindung mit Waren Dritter deren Eigentumsrecht bestehen, so erwerben wir Miteigentum im Verhältnis der Rechnungswerte der verarbeiteten, vermischten oder verbundenen Waren. Im Übrigen gilt für das entstehende Erzeugnis das Gleiche wie für die unter Eigentumsvorbehalt gelieferte Ware.
 - (b) Die aus dem Weiterverkauf der Ware oder des Erzeugnisses entstehenden Forderungen gegen Dritte tritt der Käufer schon jetzt insgesamt bzw. in Höhe unseres etwaigen Miteigentumsanteils gemäß vorstehendem Absatz zur Sicherheit an uns ab. Wir nehmen die Abtretung an. Die in Abs. 2 genannten Pflichten des Käufers gelten auch in Ansehung der abgetretenen Forderungen.
 - (c) Zur Einziehung der Forderung bleibt der Käufer neben uns ermächtigt. Wir verpflichten uns, die Forderung nicht einzuziehen, solange der Käufer seinen Zahlungsverpflichtungen uns gegenüber nachkommt, nicht in Zahlungsverzug gerät, kein Antrag auf Eröffnung eines Insolvenzverfahrens gestellt ist und kein sonstiger Mangel seiner Leistungsfähigkeit vorliegt. Ist dies aber der Fall, so können wir verlangen, dass der Käufer uns die abgetretenen Forderungen und deren

Allgemeine Verkaufsbedingungen – unternehmerischer Geschäftsverkehr

Schuldner bekannt gibt, alle zum Einzug erforderlichen Angaben macht, die dazugehörigen Unterlagen aushändigt und den Schuldern (Dritten) die Abtretung mitteilt.

(d) Übersteigt der realisierbare Wert der Sicherheiten unsere Forderungen um mehr als 10%, werden wir auf Verlangen des Käufers Sicherheiten nach unserer Wahl freigeben.

§ 7 Mängelansprüche des Käufers

(1) Für die Rechte des Käufers bei Sach- und Rechtsmängeln (einschließlich Falsch- und Minderlieferung sowie unsachgemäßer Montage oder mangelhafter Montageanleitung) gelten die gesetzlichen Vorschriften, soweit im nachfolgenden nichts anderes bestimmt ist. In allen Fällen unberührt bleiben die gesetzlichen Sondervorschriften bei Endlieferung der Ware an einen Verbraucher (Lieferantenregress gem. §§ 478, 479 BGB).

(2) In unseren Prospekten, Anzeigen und sonstigen Angebotsunterlagen enthaltene Abbildungen oder Zeichnungen sind nur annähernd maßgebend, soweit die darin enthaltenen Angaben nicht von uns ausdrücklich als verbindlich bezeichnet worden sind.

(3) Für öffentliche Äußerungen des Herstellers oder sonstiger Dritter (z. B. Werbeausagen) übernehmen wir jedoch keine Haftung.

(4) Die Mängelansprüche des Käufers setzen voraus, dass er seinen gesetzlichen Untersuchungs- und Rügepflichten (§§ 377, 381 HGB) nachgekommen ist. Zeigt sich bei der Untersuchung oder später ein Mangel, so ist uns hiervon unverzüglich schriftlich Anzeige zu machen. Als unverzüglich gilt die Anzeige, wenn sie innerhalb von zwei Wochen erfolgt, wobei zur Fristwahrung die rechtzeitige Absendung der Anzeige genügt. Unabhängig von dieser Untersuchungs- und Rügepflicht hat der Käufer offensichtliche Mängel (einschließlich Falsch- und Minderlieferung) innerhalb von zwei Wochen ab Lieferung schriftlich anzuzeigen, wobei auch hier zur Fristwahrung die rechtzeitige Absendung der Anzeige genügt. Versäumt der Käufer die ordnungsgemäße Untersuchung und/oder Mängelanzeige, ist unsere Haftung für den nicht angezeigten Mangel ausgeschlossen.

(5) Ist die gelieferte Sache mangelhaft, kann der Käufer als Nacherfüllung zunächst nach seiner Wahl Beseitigung des Mangels (Nachbesserung) oder Lieferung einer mangelfreien Sache (Ersatzlieferung) verlangen. Erklärt sich der Käufer nicht darüber, welches der beiden Rechte er wählt, so können wir ihm hierzu eine angemessene Frist setzen. Nimmt der Käufer die Wahl nicht innerhalb der Frist vor, so geht mit Ablauf der Frist das Wahlrecht auf uns über.

(6) Wir sind berechtigt, die geschuldete Nacherfüllung davon abhängig zu machen, dass der Käufer den fälligen Kaufpreis bezahlt. Der Käufer ist jedoch berechtigt, einen im Verhältnis zum Mangel angemessenen Teil des Kaufpreises zurückzubehalten.

(7) Der Käufer hat uns die zur geschuldeten Nacherfüllung erforderliche Zeit und Gelegenheit zu geben, insbesondere die beanstandete Ware zu Prüfungszwecken zu übergeben. Im Falle der Ersatzlieferung hat uns der Käufer die mangelhafte Sache nach den gesetzlichen Vorschriften zurückzugeben. Die Nacherfüllung beinhaltet weder den Ausbau der mangelhaften Sache noch den erneuten Einbau, wenn wir ursprünglich nicht zum Einbau verpflichtet waren.

(8) Die zum Zweck der Prüfung und Nacherfüllung erforderlichen Aufwendungen, insbesondere Transport-, Wege-, Arbeits- und Materialkosten (nicht: Ausbau- und Einbaukosten), tragen wir, wenn tatsächlich ein Mangel vorliegt. Stellt sich jedoch ein Mangelbeseitigungsverlangen des Käufers als unberechtigt heraus, können wir die hieraus entstandenen Kosten vom Käufer ersetzt verlangen.

(9) Wenn die Nacherfüllung fehlgeschlagen ist oder eine für die Nacherfüllung vom Käufer zu setzende angemessene Frist erfolglos abgelaufen oder nach den gesetzlichen Vorschriften entbehrlich ist, kann der Käufer vom Kaufvertrag zurücktreten oder den Kaufpreis mindern. Bei einem unerheblichen Mangel besteht jedoch kein Rücktrittsrecht.

(10) Ansprüche des Käufers auf Schadensersatz bzw. Ersatz vergeblicher Aufwendungen bestehen nur nach Maßgabe von § 8 und sind im Übrigen ausgeschlossen.

§ 8 Rücknahme gelieferter Artikel

(1) Auftragsgemäß gelieferte, fehlerfreie Artikel können nur nach unserer erfolgten Zustimmung und innerhalb von 3 Wochen nach Lieferung zurückgegeben werden. Sonderanfertigungen oder Artikel, die nicht in unserem Katalog enthalten sind, werden nicht zurückgenommen. Die Rücknahme erfolgt gegen Gutschrift. Die Kosten der Eingangskontrolle und Wiedereinlagerung werden vom Warenwert abgesetzt. Eine Auszahlung des Gutschriftbetrages ist nicht möglich.

§ 9 Sonstige Haftung

(1) Soweit sich aus diesen AVB einschließlich der nachfolgenden Bestimmungen nichts anderes ergibt, haften wir bei einer Verletzung von vertraglichen und außervertraglichen Pflichten nach den einschlägigen gesetzlichen Vorschriften.

(2) Auf Schadensersatz haften wir – gleich aus welchem Rechtsgrund – bei Vorsatz und grober Fahrlässigkeit. Bei einfacher Fahrlässigkeit haften wir nur

- a) für Schäden aus der Verletzung des Lebens, des Körpers oder der Gesundheit
- b) für Schäden aus der Verletzung einer wesentlichen Vertragspflicht (Verpflichtung, deren Erfüllung die ordnungsgemäße Durchführung des Vertrags überhaupt erst ermöglicht und auf deren Einhaltung der Vertragspartner regelmäßig vertraut und vertrauen darf); in diesem Fall ist unsere Haftung jedoch auf den Ersatz des vorhersehbaren, typischerweise eintretenden Schadens begrenzt.

(3) Die sich aus Abs. 2 ergebenden Haftungsbeschränkungen gelten nicht, soweit wir einen Mangel arglistig verschwiegen oder eine Garantie für die Beschaffenheit der Ware übernommen haben. Das gleiche gilt für Ansprüche des Käufers nach dem Produkthaftungsgesetz.

(4) Wegen einer Pflichtverletzung, die nicht in einem Mangel besteht, kann der Käufer nur zurücktreten oder kündigen, wenn wir die Pflichtverletzung zu vertreten haben. Ein freies Kündigungsrecht des Käufers (insbesondere gem §§ 651, 649 BGB) wird ausgeschlossen. Im Übrigen gelten die gesetzlichen Voraussetzungen und Rechtsfolgen.

§ 10 Verjährung

(1) Abweichend von § 438 Abs. 1 Nr. 3 BGB beträgt die allgemeine Verjährungsfrist für Ansprüche aus Sach- und Rechtsmängeln ein Jahr ab Ablieferung. Soweit eine Abnahme vereinbart ist, beginnt die Verjährung mit der Abnahme.

(2) Handelt es sich bei der Ware jedoch um ein Bauwerk oder eine Sache, die entsprechend ihrer üblichen Verwendungsweise für ein Bauwerk verwendet worden ist und dessen Mangelhaftigkeit verursacht hat (Baustoff), beträgt die Verjährungsfrist gemäß der gesetzlichen Regelung 5 Jahre ab Ablieferung (§ 438 Abs. 1 Nr. 2 BGB). Unberührt bleiben auch gesetzliche Sonderregelungen für dingliche Herausgabeansprüche Dritter (§ 438 Abs. 1 Nr. 1 BGB), bei Arglist des Verkäufers (§ 438 Abs. 3 BGB) und für Ansprüche im Lieferantenregress bei Endlieferung an einen Verbraucher (§ 479 BGB).

(3) Die vorstehenden Verjährungsfristen des Kaufrechts gelten auch für vertragliche und außervertragliche Schadensersatzansprüche des Käufers, die auf einem Mangel der Ware beruhen, es sei denn die Anwendung der regelmäßigen gesetzlichen Verjährung (§§ 195, 199 BGB) würde im Einzelfall zu einer kürzeren Verjährung führen. Die Verjährungsfristen des Produkthaftungsgesetzes bleiben in jedem Fall unberührt. Ansonsten gelten für Schadensersatzansprüche des Käufers gem. § 8 ausschließlich die gesetzlichen Verjährungsfristen.

§ 11 Rechtswahl und Gerichtsstand

(1) Für diese AVB und alle Rechtsbeziehungen zwischen uns und dem Käufer gilt das Recht der Bundesrepublik Deutschland unter Ausschluss internationalen Einheitsrechts, insbesondere des UN-Kaufrechts. Voraussetzungen und Wirkungen des Eigentumsvorbehalts gem. § 6 unterliegen dem Recht am jeweiligen Lageort der Sache, soweit danach die getroffene Rechtswahl zugunsten des deutschen Rechts unzulässig oder unwirksam ist.

(2) Ist der Käufer Kaufmann iSd Handelsgesetzbuchs, juristische Person des öffentlichen Rechts oder ein öffentlich-rechtliches Sondervermögen, ist ausschließlicher – auch internationaler – Gerichtsstand für alle sich aus dem Vertragsverhältnis unmittelbar oder mittelbar ergebenden Streitigkeiten unser Geschäftssitz in Peine. Wir sind jedoch auch berechtigt, Klage am allgemeinen Gerichtsstand des Käufers zu erheben.

§ 12 Salvatorische Klausel

Sollte eine Bestimmung dieses Vertrages und/oder seine Änderungen bzw. Ergänzungen unwirksam sein, so wird dadurch die Wirksamkeit des Vertrages im Übrigen nicht berührt. Die unwirksame Bestimmung wird durch eine wirksame ersetzt, die dem wirtschaftlich Gewollten am nächsten kommt.

Für den Privatkauf gelten gesonderte Verkaufsbedingungen. Diese können auf unserer Homepage eingesehen bzw. auf Anforderung auch gern zugeschickt werden.

Ordering information for CD-ROM

Our special catalogue **INNOVATIVE EARTHING TECHNOLOGY** all railways approvals is also available on CD-ROM. This allows you the admission and subsequent treatment of our data with AutoCAD, Adobe Acrobat and Word on your PC.

Do you interesting on the CD? Please send us a fax.

WEITKOWITZ

Kabelschuhe und Werkzeuge GmbH
Woltorfer Straße 125 ■ 31224 Peine - Germany

contact person: Mr. Volker Hennies

fon: + 49 (0) 5171 7061 - 39

fax: + 49 (0) 5171 7061 - 776



Visit our website

www.weitkowitz.de

There you will find useful information as well as our „special offer of the month“.



Postfach 1765
31207 Peine / Germany

Woltorfer Straße 125
31224 Peine / Germany

fon +49 51 71 / 70 61 - 0
fax +49 51 71 / 70 61 - 58

E-Mail info@weitkowitz.de
Internet www.weitkowitz.de

HRB 201704 · Amtsgericht Hildesheim · USt-IdNr: DE266381562 · Managing Directors: Jürgen Oesterreich, Kurt Mutschlechner

